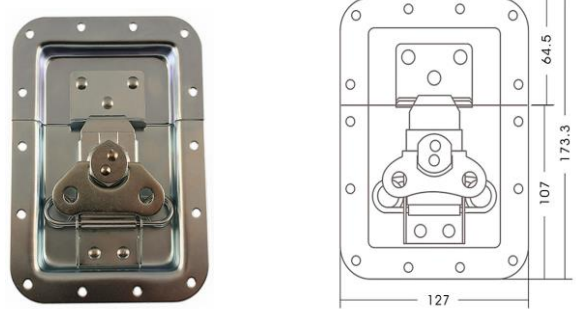
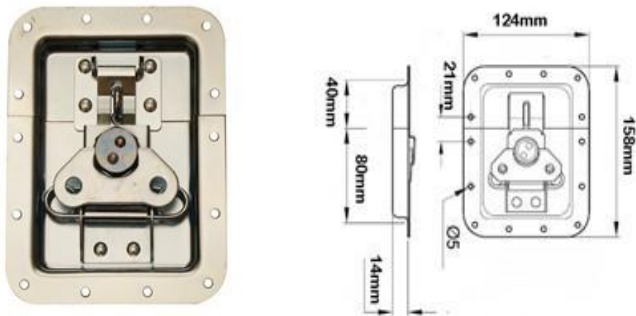


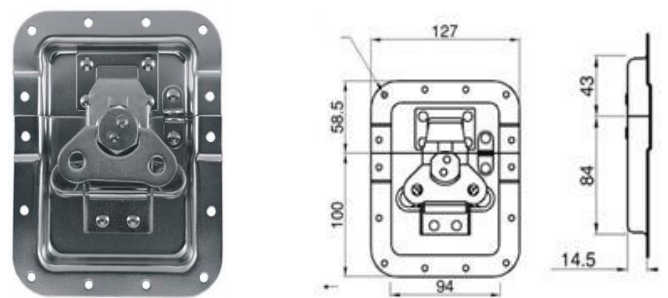
S5480 Extra large butterfly latch,protectivesty.
 Material: steel
 Size:174*127mm
 Finish: zinc / chrome



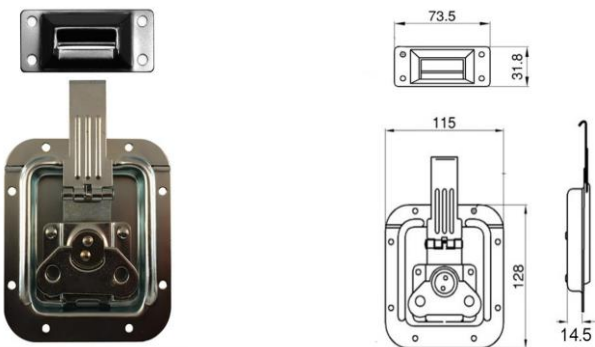
5750 Extra large butterfly latch mounted in a dish.
 Material: steel
 Size: 173.3*127mm
 Finish: zinc / chrome



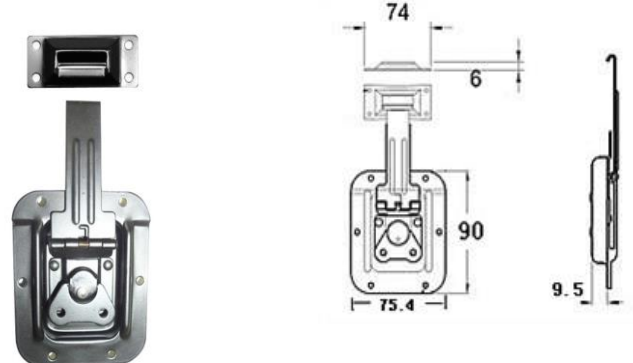
5480 Padlockable Large recessed twist latch.
 Material: steel
 Size: 158*124mm
 Finish: zinc/chrome



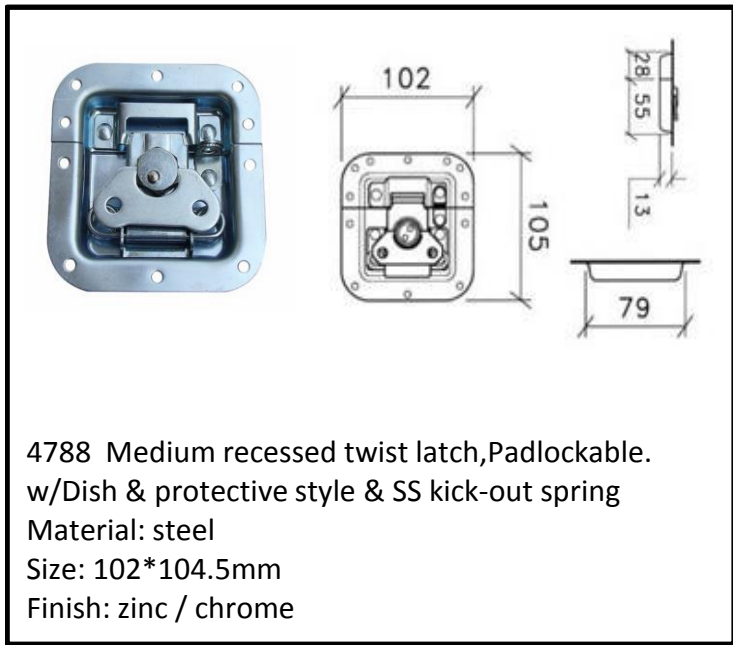
5485 Large Recessed Twist Catch . Padlockable.
 Material: steel
 Size: 158.5*127mm
 Finish: zinc/ chrome



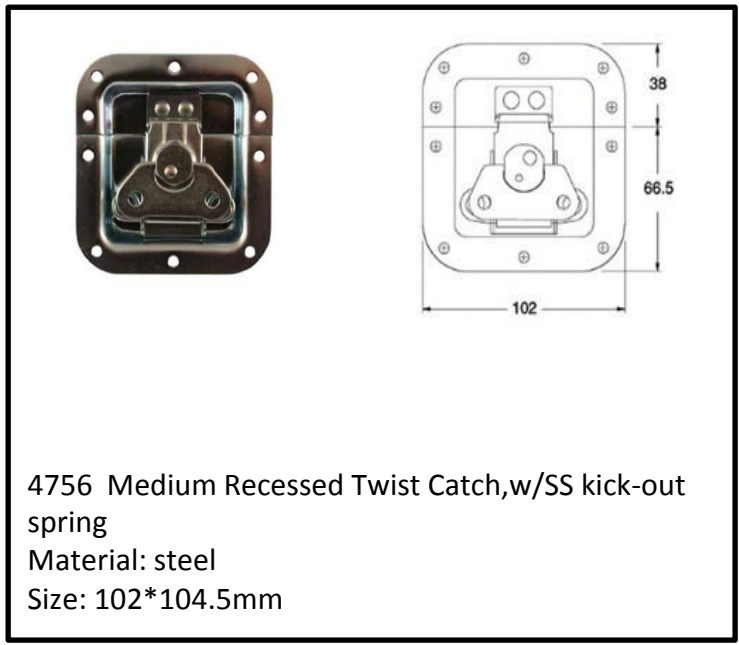
2000 Large Valance Spanning Twist Catch.
 Material: steel
 Size: 128*115mm
 Finish: zinc /chrome



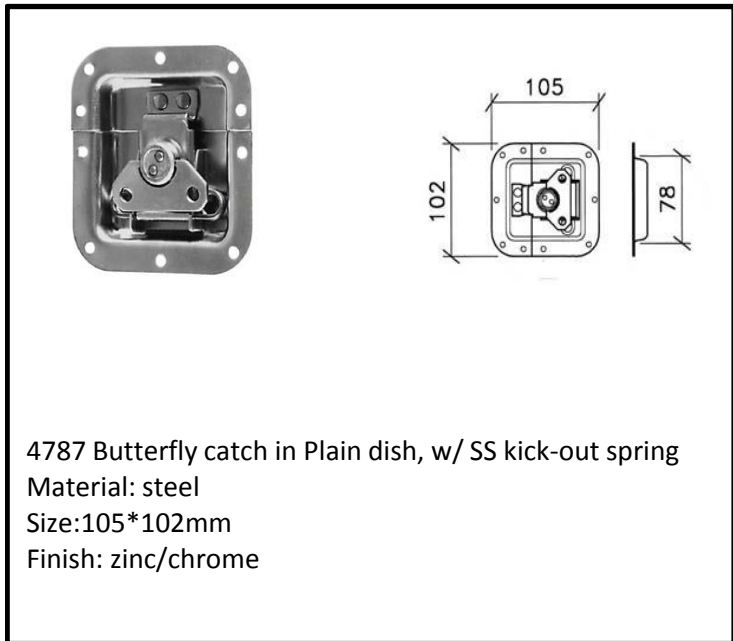
3000 Small Valance Spanning Twist Catch.
 Material: steel
 Size: 90*75.4mm
 Finish: zinc/chrome



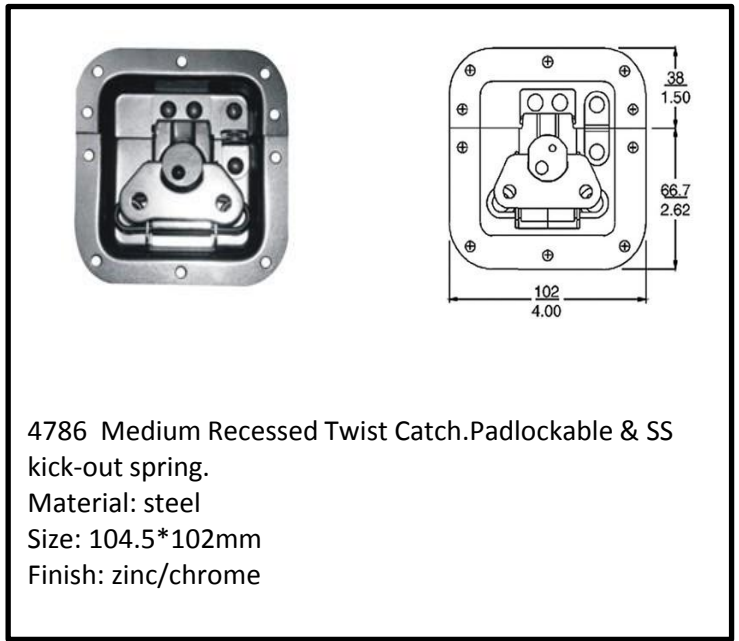
4788 Medium recessed twist latch, Padlockable.
w/Dish & protective style & SS kick-out spring
Material: steel
Size: 102*104.5mm
Finish: zinc / chrome



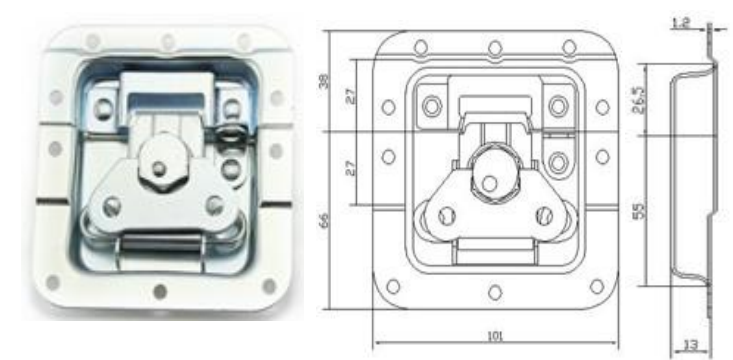
4756 Medium Recessed Twist Catch, w/SS kick-out spring
Material: steel
Size: 102*104.5mm



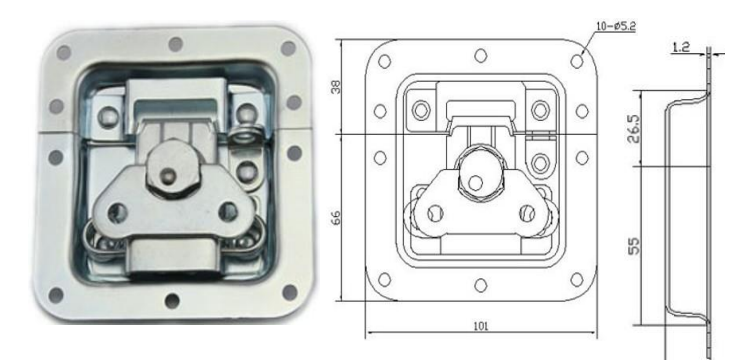
4787 Butterfly catch in Plain dish, w/ SS kick-out spring
Material: steel
Size: 105*102mm
Finish: zinc/chrome



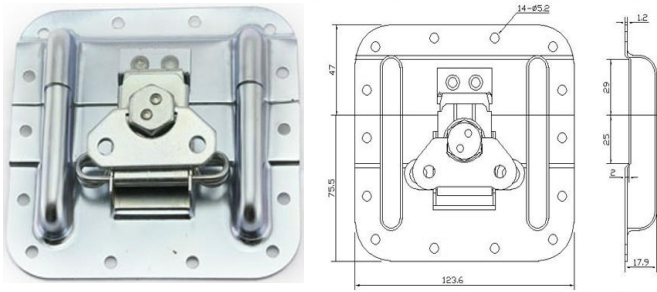
4786 Medium Recessed Twist Catch. Padlockable & SS kick-out spring.
Material: steel
Size: 104.5*102mm
Finish: zinc/chrome



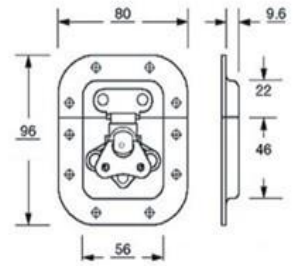
4488 Medium latch, padlockable, w/SS kick-out spring
Material: Cold steel, SS
Size: 102*105mm
Finish: Blue zinc/ Chrome
Weight:



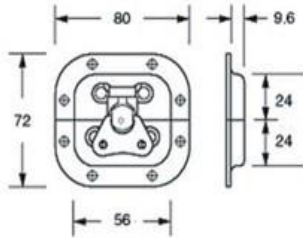
S4788 Medium latch, padlockable, w/SS kick-out spring
Material: Cold steel, SS
Size: 102*105mm
Finish: Blue zinc/ Chrome
Weight:



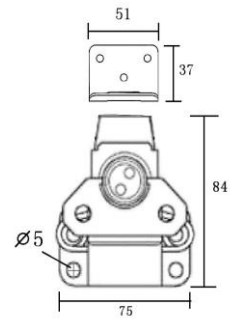
4956 Medium Surface Mount Twist Catch
 Material: steel
 Size: 123.6*122.8mm
 Finish: zince/ chrome



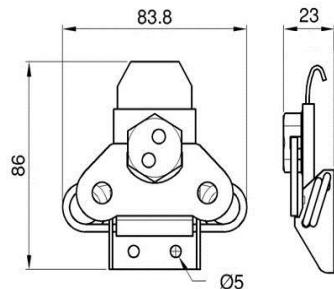
3759 Small-Medium Recessed Twist Catch.
 Material: steel
 Size: 96*80mm
 Finish: zinc/chrome



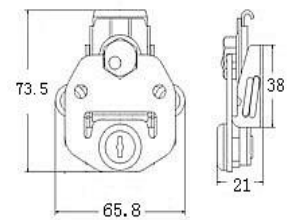
3758 Mini Recessed Twist Catch.
 Material: steel
 Size: 80*72mm
 Finish: zinc/chrome



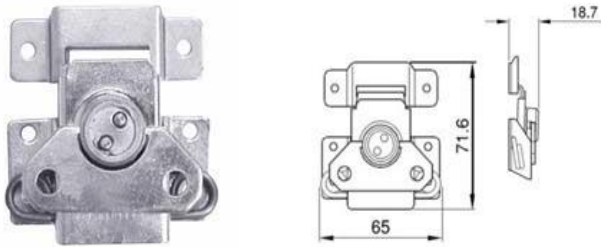
7567 Surface mounted latch.
 Material: steel
 Size: 84* 75mm
 Finish: zinc /chrome



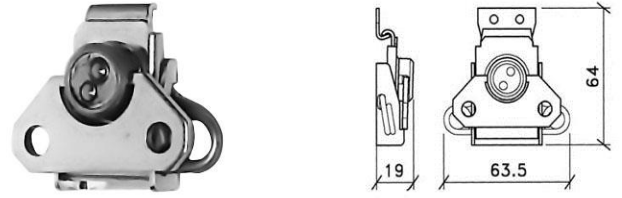
7566 Large Surface Mount Twist Latch.
 Material: steel
 Size: 83.8*86mm
 Finish: zinc/chrome



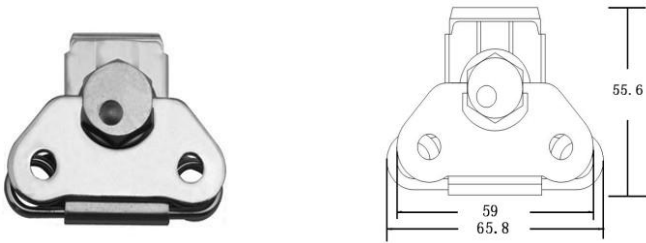
7461 Medium surface mount twist latch, keylockable.
 Meterail: steel
 Size: 73.5*65.8mm
 Finish: zinc/chrome



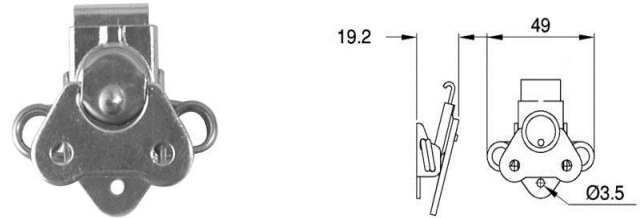
7666 butterfly catch without dish, protective style
 Material: steel
 Size: 71.6*65mm
 Finish: zinc/ chrome



7464 Medium surface mount twist latch.
 Material: steel
 Size: 63.5*64mm
 Finish: zinc/chrome



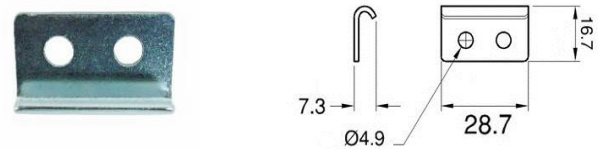
7463 Medium surface mount twist latch.
 Material: steel
 Size: 65.8*55.6mm
 Finish: zinc/chrome



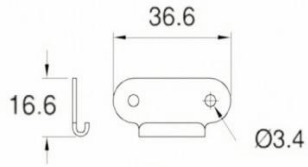
7365 Small Surface Mount Twist Latch.
 Material: steel
 Size: 49*39mm
 Finish: zinc/chrome



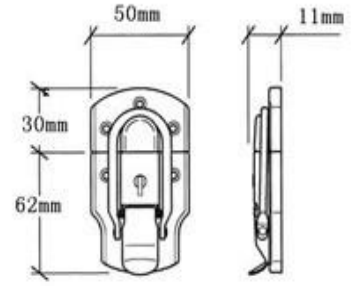
0371 Slotted Striker Plate for Large Butterfly Catch.
 Material: steel
 Size: 51*37mm
 Finish: zinc/chrome



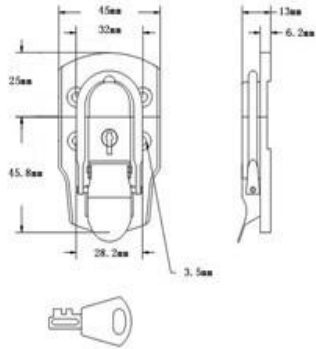
2393 Medium Surface Mount Keeper.
 Material: steel
 Size: 28.7*16.7mm
 Finish: zinc /chrome



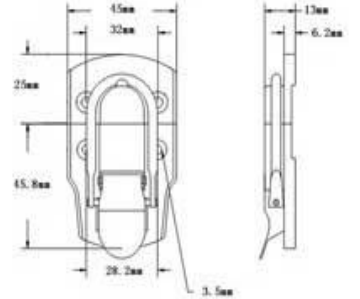
0334 Small Surface Mount Keeper.
Material: steel
Size: 36.6*16.6mm
Finish: zinc/chrome



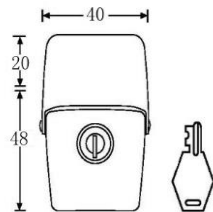
7104 Large drawcatch w/key.
Material: steel
Size: 92*50mm
Finish: nickel/ chrome



7105 Medium drawcatch, w/key.
Material: steel
Size: 70.8*45mm
Finish: Nickel/chrome



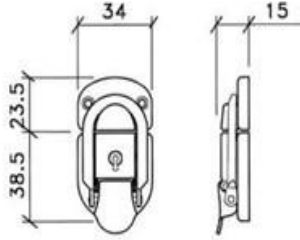
7106 Small draw drawcatch.
Material: steel
Size: 70.8*45mm
Finish: Nickel/chrome



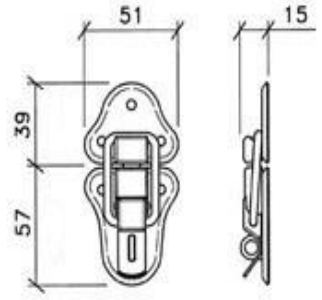
7107 Draw latch with key.
Material: steel
Size: 68*40mm
Finish: chrome/nickel



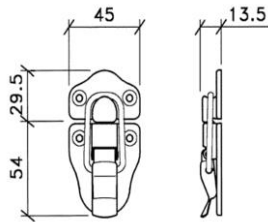
7108 Draw latch with key.
Material: steel
Size: 71*43mm
Finish: chrome/nickel



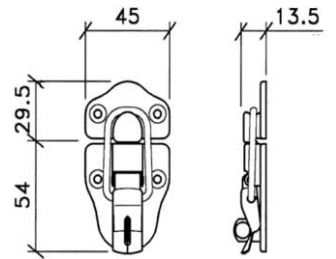
7109 Small drawlatch.
 Material: steel
 Size: 62*35mm
 Finish: chrome/nickel



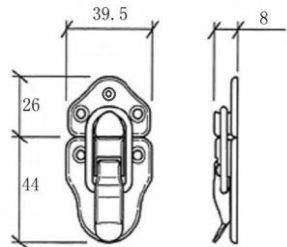
7110 Medium drawcatch ,Padlockable.
 Material: steel
 Size: 96*51mm
 Finish: nickel/ chrome



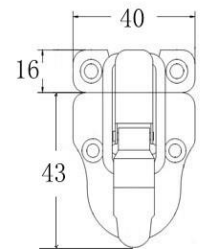
L0560 Large draw latch.
 Marterial: steel
 Size: 83.5*45mm
 Finish: Chrome/Nickel



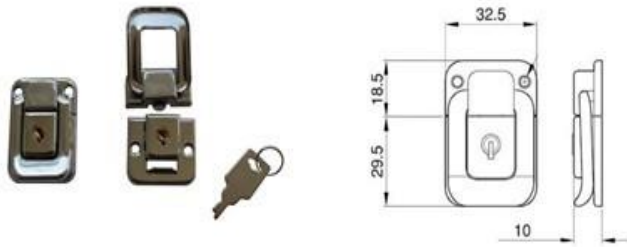
L0561 Large draw latch.Padlocking.
 Marterial: steel
 Size: 83.5*45mm
 Finish: Chrome/Nickel



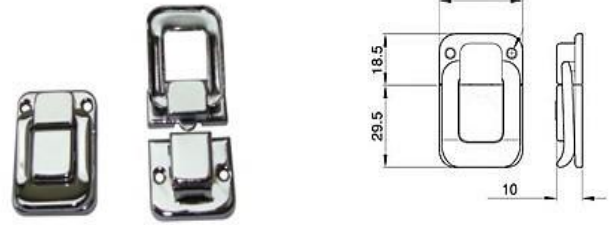
L0562 Small drawlatch.
 Materail: steel
 Size: 70*39.5mm
 Finish: chrome/nickel



L0563 Small drawcatch.
 Material: steel
 Size: 59*40mm
 Finish: nickel/chrome



0601 Small drawcatch, w/key.
 Material: steel
 Size: 48*32.5mm
 Finish: Nickel/chrome



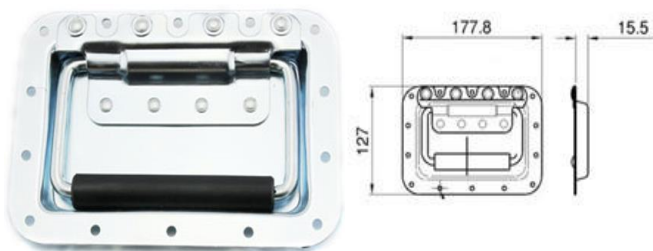
0602 Small drawcatch.
 Material: steel
 Size: 48*32.5mm
 Finish: Nickel/chrome



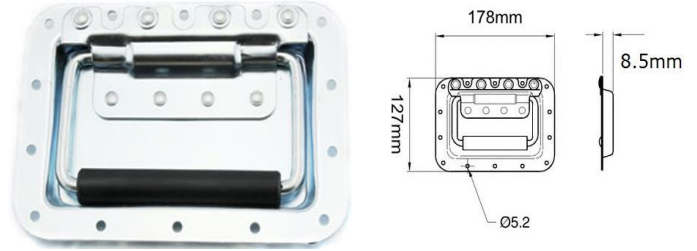
7850 Diecast drawcatch.
 Material: Diecast
 Size: 47*58mm
 Finish: nickel /chrome



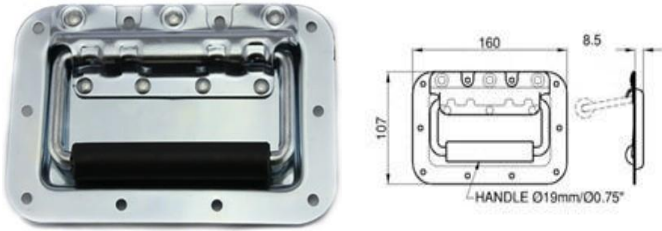
7851 Diecast drawcatch.
 Material: Diecast
 Size: 42*46mm
 Finish: nickel/chrome



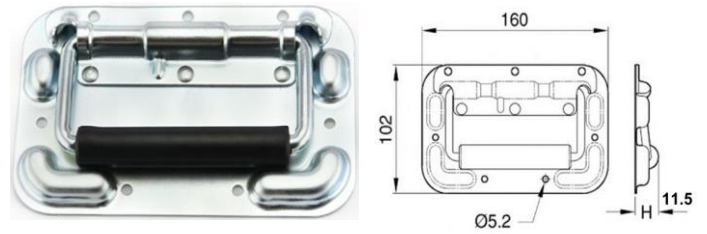
H7165 large handle, for 12mm plywood of flight case.
 Material: steel
 Size: 177.8*127mm
 Finish: zinc/chrome/nickel/black



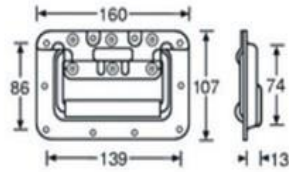
H1801 large handle, for 9 mm plywood of flight case.
 Material: steel
 Size: 178*127mm
 Finish: zinc/chrome/nickel



H7159 Heavy Duty, Rivet Protected Recessed Handle. 8mm Bail with 19mm Grip. Double Sprung.
 Material: steel
 Size: 160*107mm
 Finish: zinc/chrome/Nickel



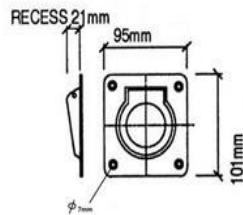
H4051 Surface Mount Flip Handle.
 Material: steel
 Size: 160*102mm
 Finish: Zinc/Chrome/Nickel



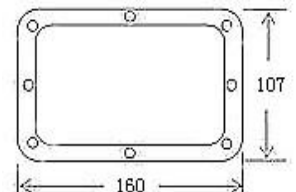
H1050 Rivet Protected Recessed Handle.
 Material: steel
 Size: 160*107mm
 Finish: zinc/chrome/nickel



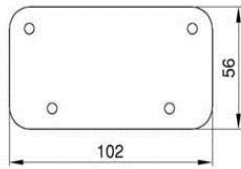
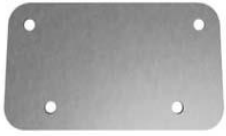
H1051 Small spring-loaded recessed handle. no grip.
 Material: steel
 Size: 137*81mm
 Finish: zinc/chrome/nickel



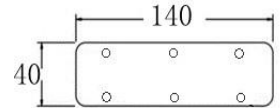
H1435K Snap back spring shackle.
 Material: Diecast
 Size: 95*101mm
 Finish: zinc/Black



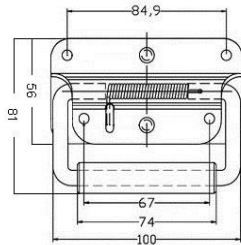
1875 self adhesive gasket. for H7159 style recessed handles.
 Material: steel
 Size: 160*107mm
 Finish: zinc/chrome/nickel/black



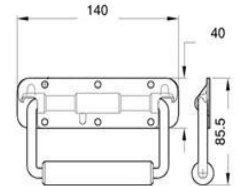
H1033/BP plate for H1033 handle.
Material: steel
Size: 102*56mm
Finish: zinc



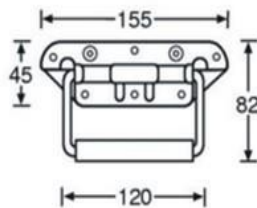
2326/BP plate for 2326 handle.
Material: steel
Size: 140*40mm
Finish: zinc



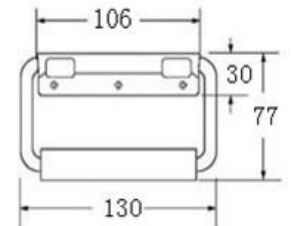
H1033 Sprung Surface Handle with rubber grip.
Material: steel
Size: 84.9*81mm
Finish: zinc/chrome/nickel



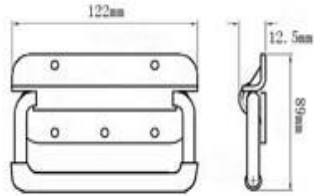
2326 Surface Mount Spring-Loaded Handle. Molded grip.
Material: steel
Size: 140*85.5mm
Finish: zinc/chrome/nickel



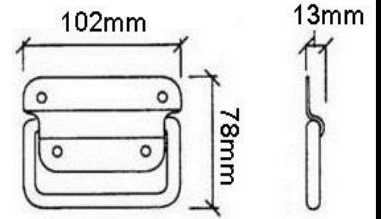
2327 Small heavy duty handle. 8mm molded grip.
Material: steel
Size: 155*82mm
Finish: zinc/chrome/nickel



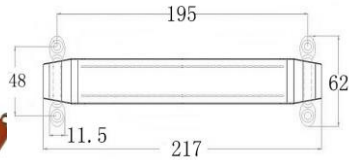
2356 Medium light duty handle. 8mm molded grip.
Material: steel
Size: 130*77mm
Finish: zinc/chrome/nickel



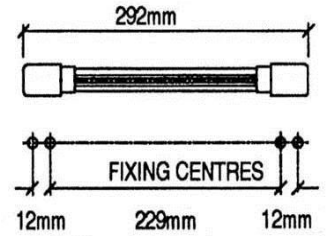
2308AL Surface mount spring-loaded handle.
 Material: Aluminum
 Size: 122*89mm



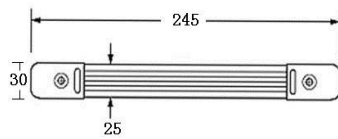
2309 Surface mount chest handle.
 Material: steel
 Size: 102*78mm
 Finish: zinc/chrome/nickel



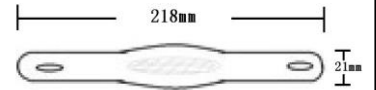
H1008 Leather handle with Nickel/Gold fitting.
Special for guitar speaker.
 Material: Leather, zinc alloy
 Size: 217*62mm
 Color: Black/coffee/Red/Cream/Orange/Blue



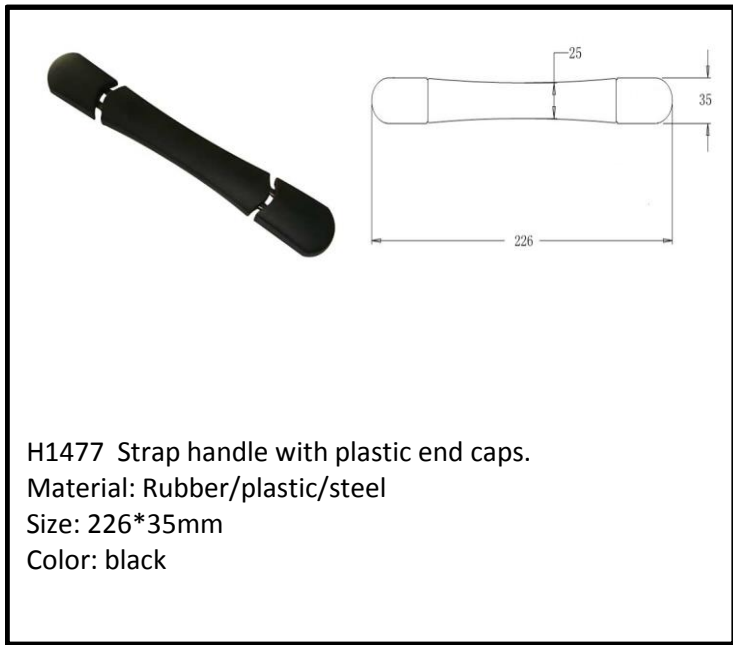
H1195G Strap handle with Nickel /Gold fitting.
 Material: Rubber/steel
 Size: 292*27mm
 Finish: Nickel/Chrome/Gold
Marshall guitar speaker's handle



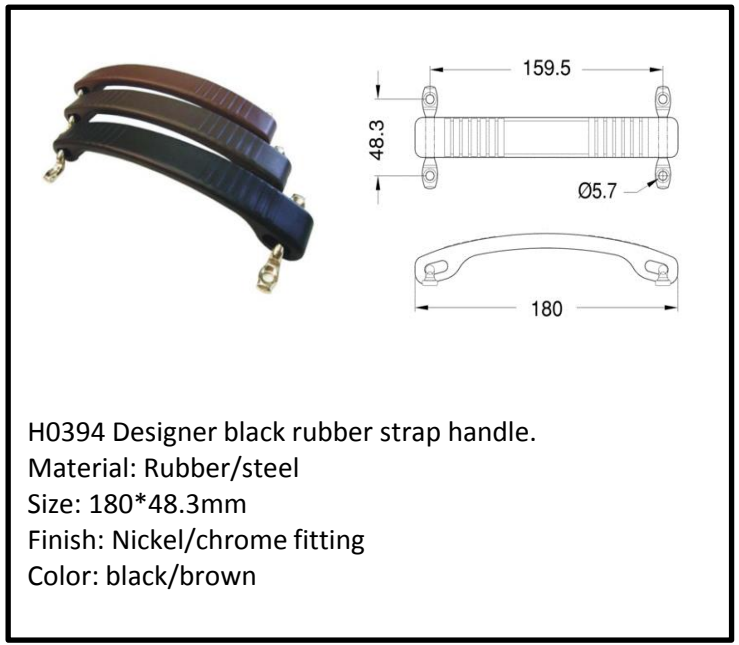
0315N Strap handle, 2Holes. with nickel fitting.
 Material: rubber/steel
 Size: 245*30mm
 Finish: Nickel/chrome/black



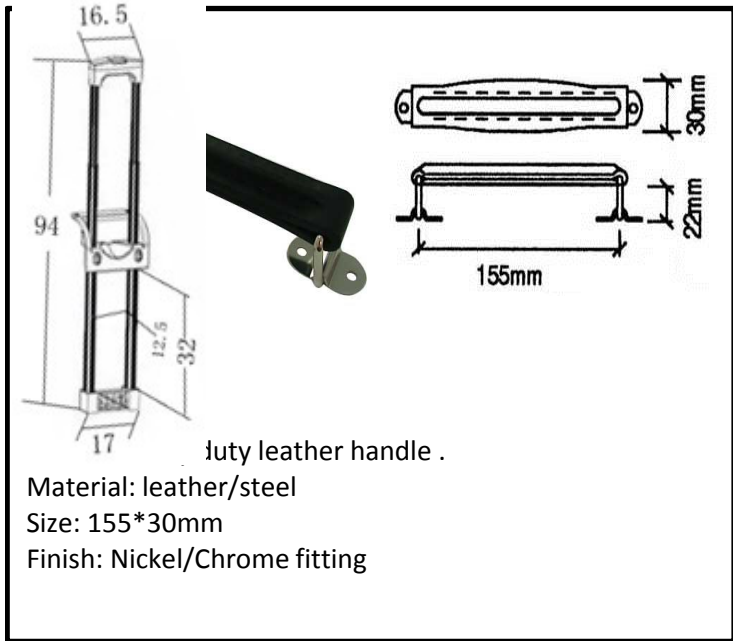
H1007 Leather handle with nickel/gold fitting.
 Material: leather/steel
 Size: 218*21mm
 Leather color: Brown/black
 Finish: Nickel/chrome/gold
Special design for "Fender 5E3"



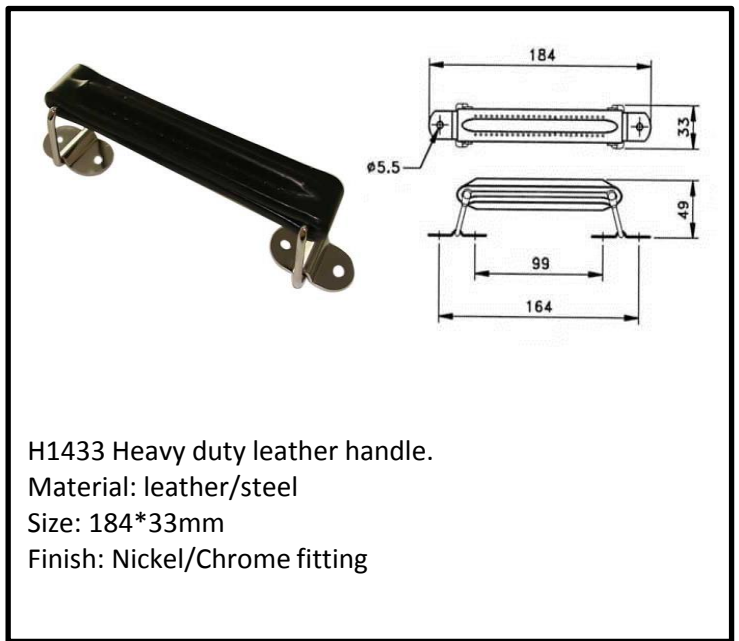
H1477 Strap handle with plastic end caps.
 Material: Rubber/plastic/steel
 Size: 226*35mm
 Color: black



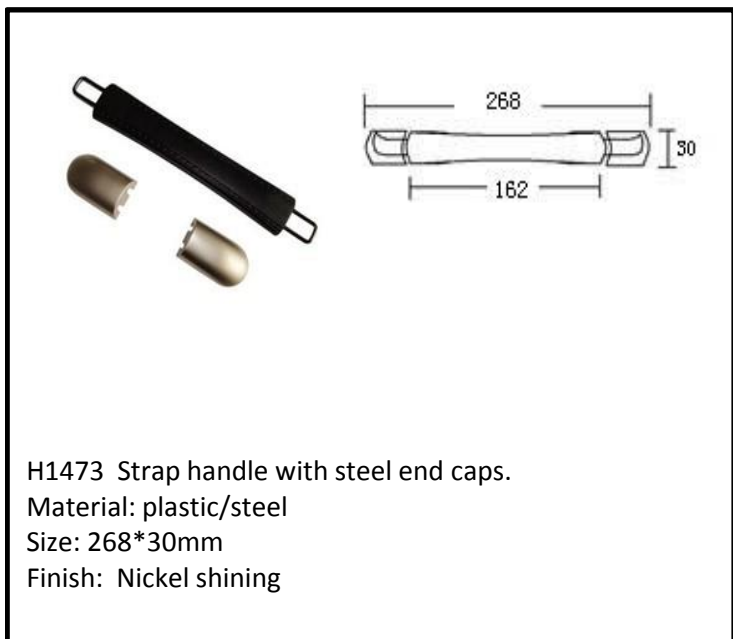
H0394 Designer black rubber strap handle.
 Material: Rubber/steel
 Size: 180*48.3mm
 Finish: Nickel/chrome fitting
 Color: black/brown



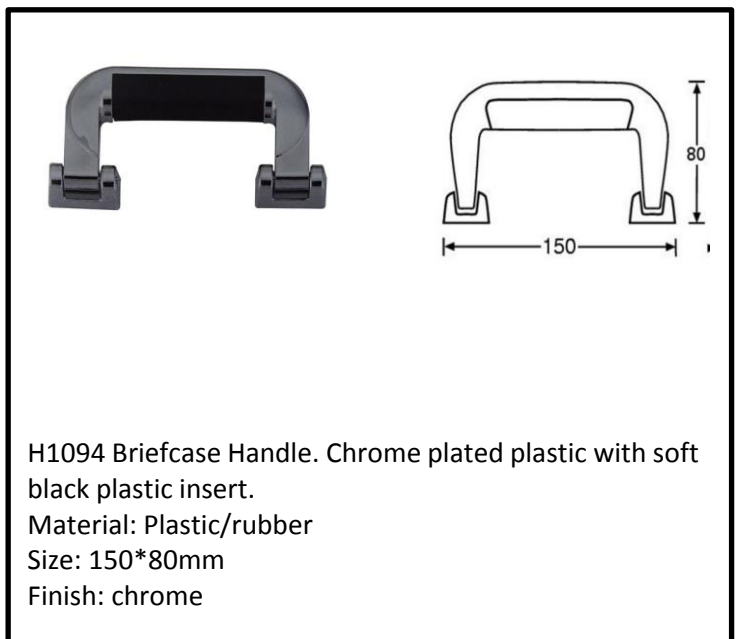
Heavy duty leather handle .
 Material: leather/steel
 Size: 155*30mm
 Finish: Nickel/Chrome fitting



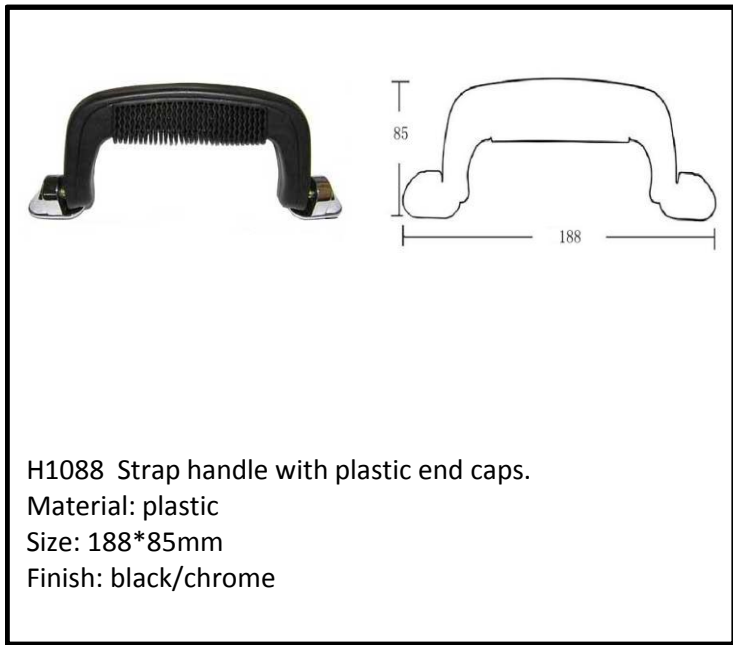
H1433 Heavy duty leather handle.
 Material: leather/steel
 Size: 184*33mm
 Finish: Nickel/Chrome fitting



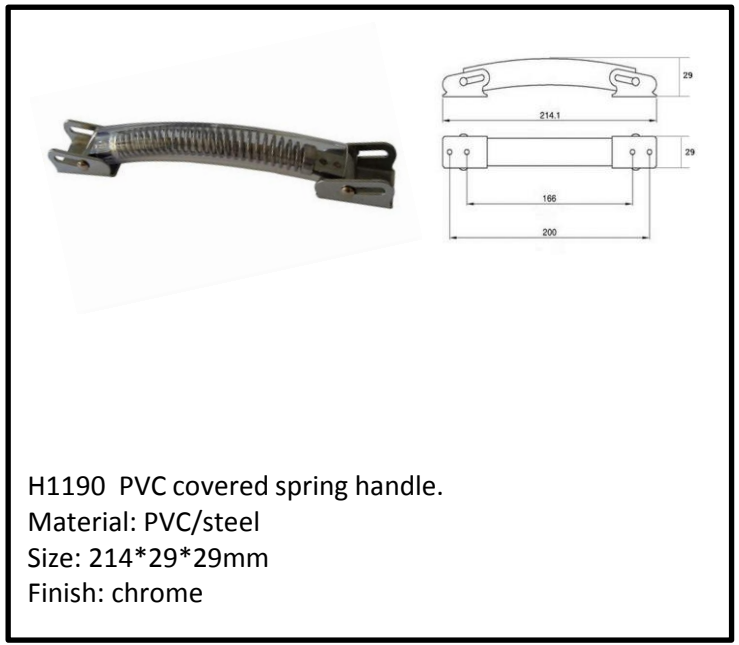
H1473 Strap handle with steel end caps.
 Material: plastic/steel
 Size: 268*30mm
 Finish: Nickel shining



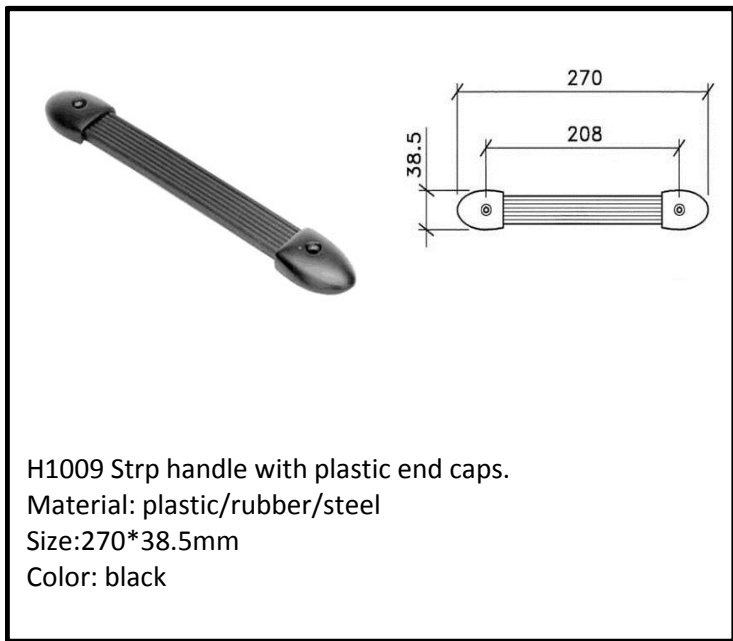
H1094 Briefcase Handle. Chrome plated plastic with soft black plastic insert.
 Material: Plastic/rubber
 Size: 150*80mm
 Finish: chrome



H1088 Strap handle with plastic end caps.
 Material: plastic
 Size: 188*85mm
 Finish: black/chrome



H1190 PVC covered spring handle.
 Material: PVC/steel
 Size: 214*29*29mm
 Finish: chrome



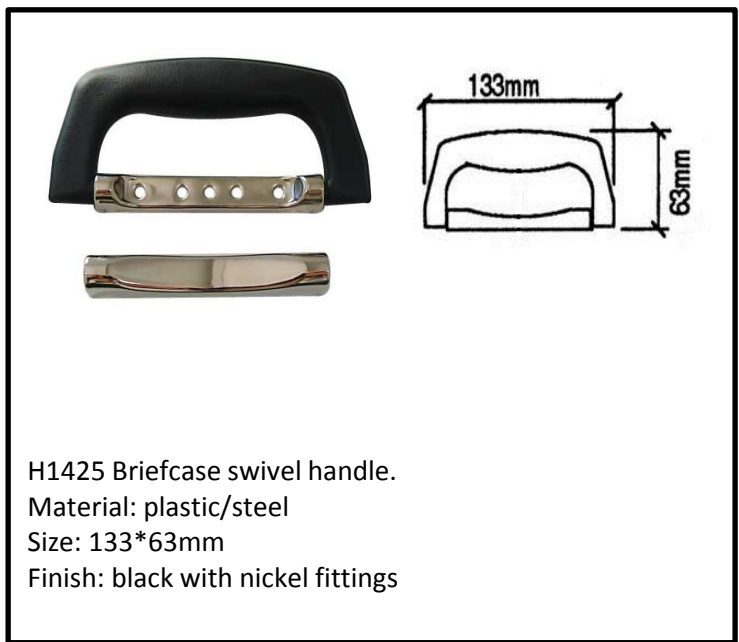
H1009 Strp handle with plastic end caps.
 Material: plastic/rubber/steel
 Size:270*38.5mm
 Color: black



H1428 Briefcase Swivel handle.
 Material: Plastic/Alloy
 Size:128*64mm
 Finish: black with chrome fitting



H1431 Briefcase swivel handle.
 Material: plastic
 Size:190*75mm
 Finish: Matt chrome with black grip



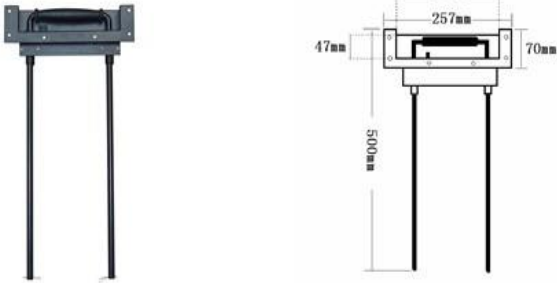
H1425 Briefcase swivel handle.
 Material: plastic/steel
 Size: 133*63mm
 Finish: black with nickel fittings



H0326 Plastic handle with heavy duty brackets.
 Material: plastic/steel
 Size: 160*67mm
 Finish: black with nickel fittings



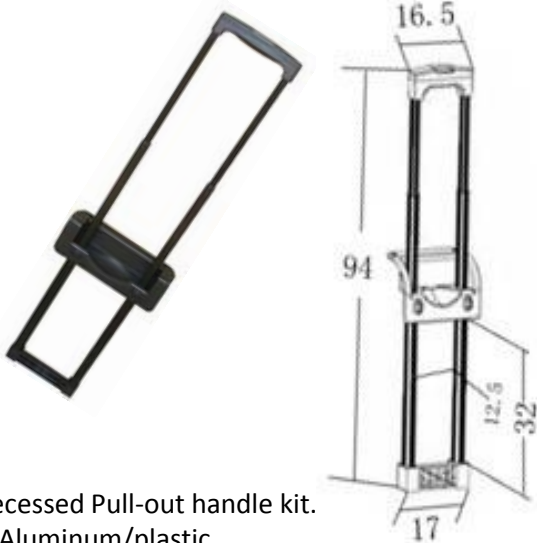
H1010 Briefcase swivel handle.
 Material: Alloy/rubber
 Size: 142*64mm
 Finish: Chrome plated Alloy with soft black rubber insert.



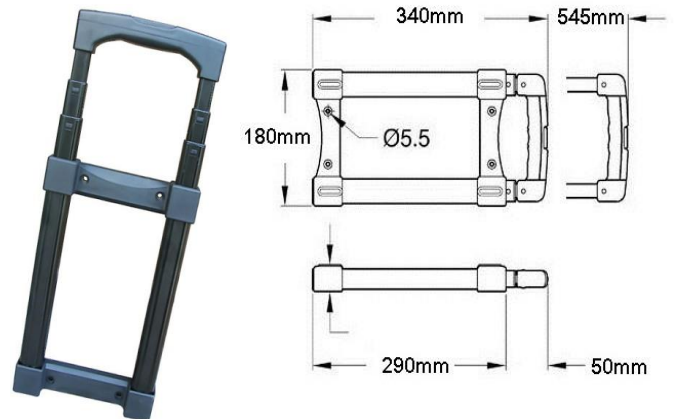
H1508BK Recessed Retractable handle. Heavy duty solid steel bail.
 Material: steel/rubber
 Size: 50*25.7cm
 Finish: black



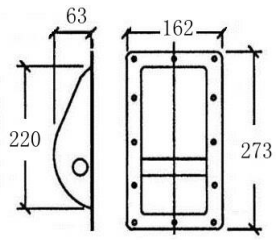
H2001 Extendable handle
 - 3stage.
 Material: Aluminum/Plastic



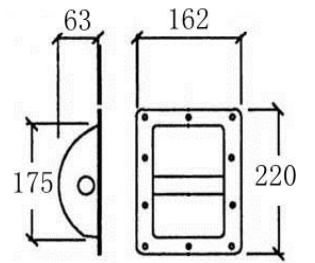
H2000 Recessed Pull-out handle kit.
 Material: Aluminum/plastic
 Size: 94*16.5cm



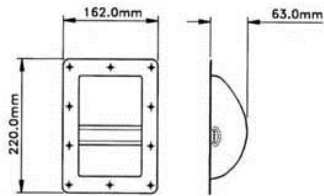
H2002 Extendable Handle - 3 stage.
 Material: Aluminum/plastic
 Size: 94*18cm



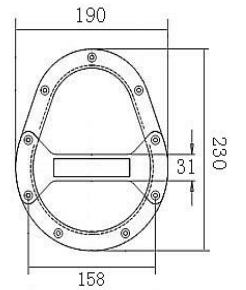
H1070 Recessed Steel bar handle.
Material: steel
Size: 273*162mm
Finish: black



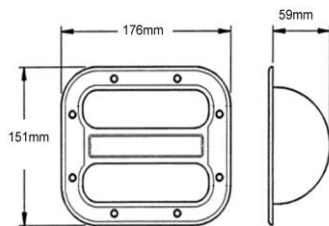
H1105 Recessed steel bar handle.
Material: steel
Size: 220*162mm
Finish: black



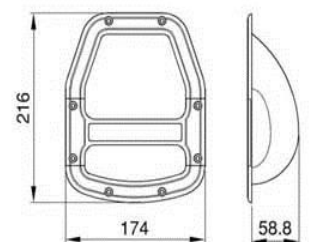
H1104 Recessed steel bar handle.
Material: steel
Size: 220*162mm
Finish: black



H1106 Plastic handle.
Material: plastic
Size: 230*190mm
Finish: black



H1108 Dicast dish with aluminum handle.
Material: Dicast/aluminum
Size: 176*151*59mm
Finish: black



H1027 Dicast Handle with ABS body.
Material: ABS plastic/Aluminum
Size: 216*174mm
Finish: black

H1006 Pocket handle.
Material: plastic.
Size: 130*83mm
Finish: black

H1005 Pocket handle.
Material: plastic.
Size: 130*83mm
Finish: black

R0712 Heavy duty Flying rings.
Material: Alloy
Size:
Finish: black

R1739 Flying point.
Material: Alloy
Size: 62*24mm
Finish: black

R1439 Heavy duty flying track.
Material: Aluminum
Size: 149*34.5mm(6 holes)
Finish: black

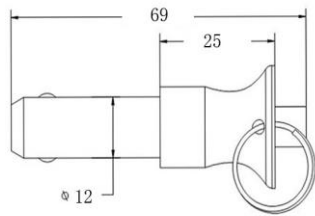
R1470 M10 hank bush assy.
Material: steel
Size: 51*26mm
Finish: black/zinc



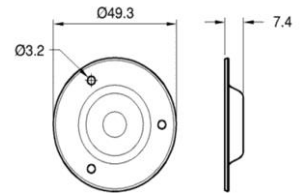
B1722 Large Bolt.
 Material: Stainless steel/Brass
 Size: $\varnothing 12 * 71 \text{mm}$



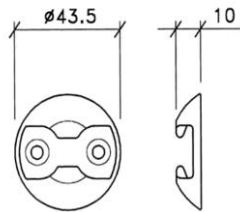
B1723 Small Bolt.
 Material: Stainless steel/Brass
 Size: $\varnothing 9 * 69 \text{mm}$



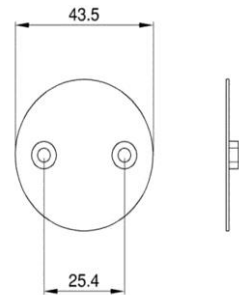
B1724 Medium Bolt.
 Material: Stainless steel
 Size: $\varnothing 12 * 69 \text{mm}$



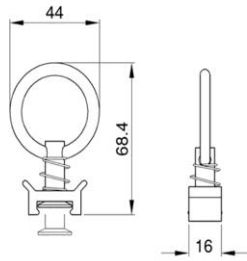
1566BK Recessed 1/4" Jack Ferrule.
 Material: steel
 Size: $\varnothing 49.3 * 7.4 \text{mm}$
 Finish: black



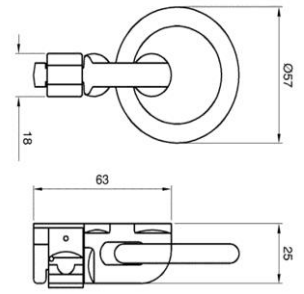
R1437K Single point anchor plate.
 Material: Aluminum
 Size: $\varnothing 43.5 \text{mm}$
 Finish: black



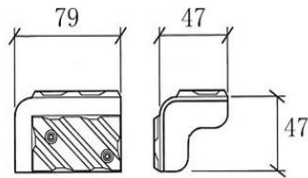
R1437BP Back plate for R1437 with M5 fixings.
 Material: Aluminum
 Size: $\varnothing 43.5 \text{mm}$



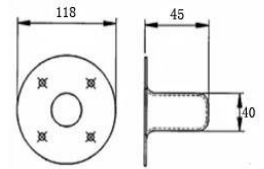
R1438 Single point flying stud .
Material: steel
Size: Ø44mm



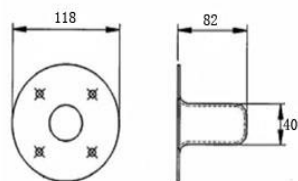
R1440 Doule stud flying point.
Material: Alloy
Size: Ø57mm
Finish: zinc



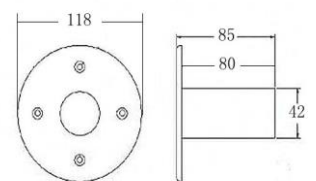
C1405 Large plastic stacking corner.
Material: plastic
Size: 79*47mm
Finish: black



M1501 Heavy duty steel top hat.
Material: steel
Size: 118*45mm
Finish: black



M1502 Heavy duty steel top hat.
Material: steel
Size: 118*82mm
Finish: black



M1503 Speakermount top hat.
Material: Plastic
Size: 118*85mm
Finish: black



M1504 Pressure Aluminum top hat.
 Material: Aluminum
 Size: 106*85mm
 Finish: black



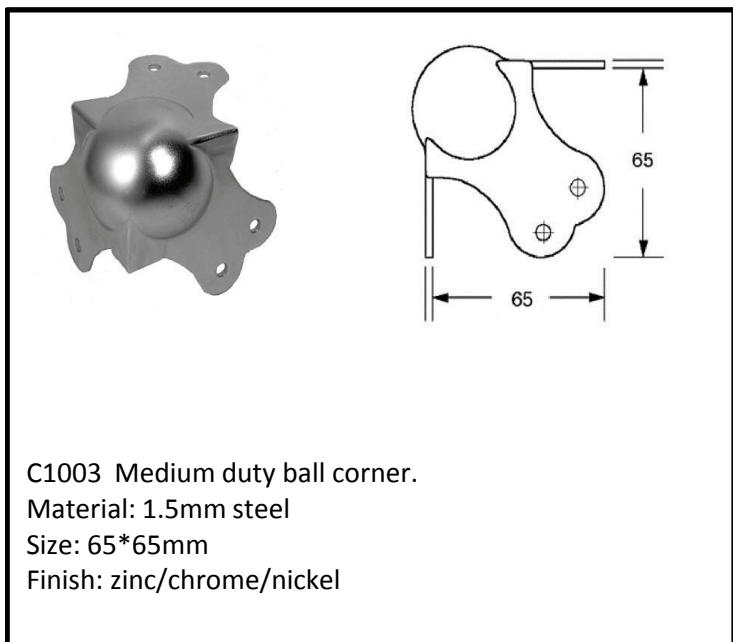
M1610 Pressure Aluminum Port Tube.
 Material: Aluminum
 Size: 250(L)*250(W)*127(H)mm
 Finish: black



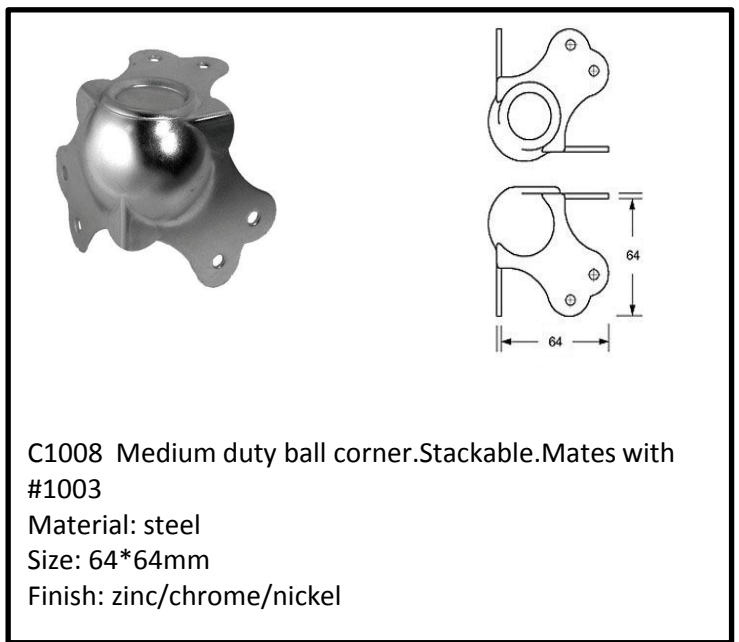
M1505 Heavy duty, Large Pressure Aluminum top hat to suit M1610.
 Material: Aluminum
 Size: Ø120*49mm
 Finish: black



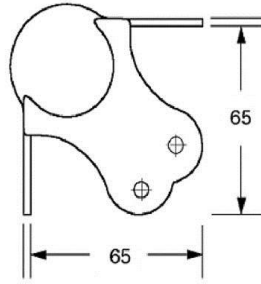
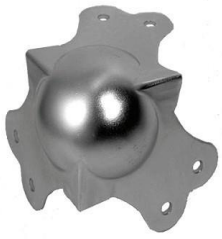
M1506 Heavy duty, Small Pressure Aluminum top hat to suit M1610.
 Material: Aluminum
 Size: Ø100*50mm
 Finish: black



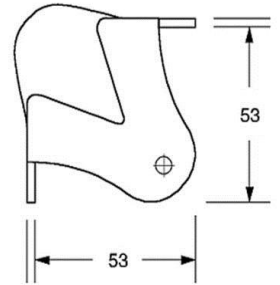
C1003 Medium duty ball corner.
 Material: 1.5mm steel
 Size: 65*65mm
 Finish: zinc/chrome/nickel



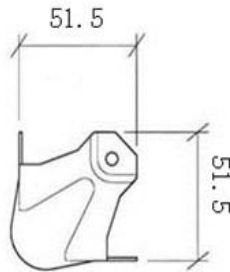
C1008 Medium duty ball corner. Stackable. Mates with #1003
 Material: steel
 Size: 64*64mm
 Finish: zinc/chrome/nickel



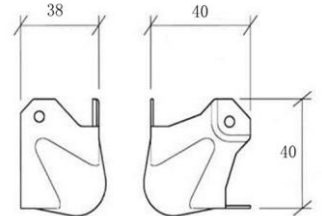
C1002 Medium Heavy duty ball corner.
 Material: 1.9mm steel
 Size: 65*65mm
 Finish: zinc/chrome/nickel



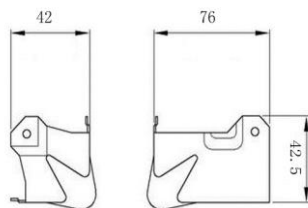
C1020 Medium ball corner.
 Material: steel
 Size: 53*53mm
 Finish: zinc/chrome/nickel



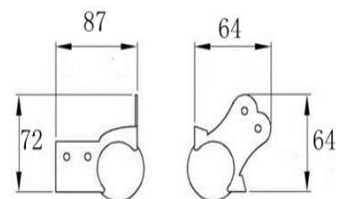
C1080 Ball corner.
 Material: steel
 Size: 51.5*51.5mm
 Finish: zinc/chrome/nickel



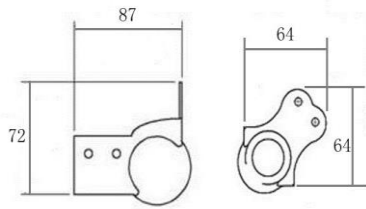
C1081 Brace Ball corner.
 Material: steel
 Size: 38*40mm
 Finish: zinc/chrome/nickel



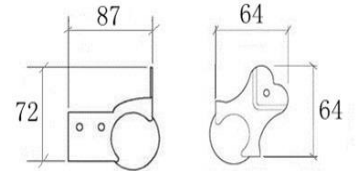
C1082 Brace ball corner.offset.
 Material: steel
 Size: 76*42.5mm
 Finish: zinc/chrome/nickel



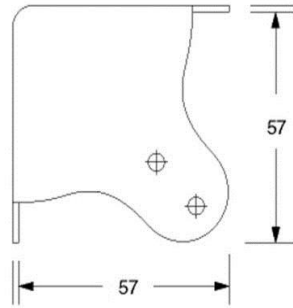
C1373 Brace ball corner with 52mm leg.
 Material: steel
 Size: 87*72mm
 Finish: zinc/chrome/nickel



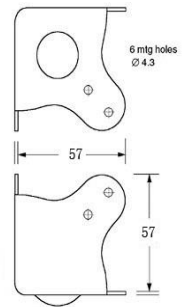
C1374 Brace ball corner, stackable.
 Material: steel
 Size: 87*72mm
 Finish: zinc/chrome/nickel



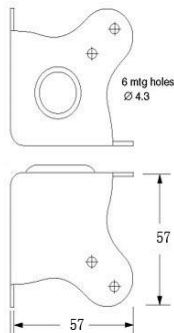
C1375 Brace ball corner, with offset.
 Material: steel
 Size: 87*72mm
 Finish: zinc/chrome/nickel



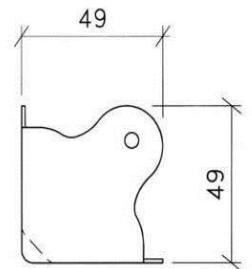
C1031 Flat corner, 6-hole.
 Material: steel
 Size: 57*57mm
 Finish: zinc/chrome/nickel



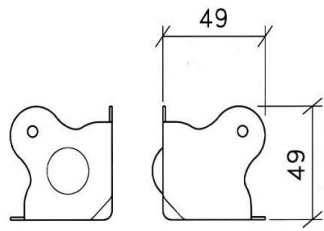
C1032 Flat corner w/Male stacking bump, 6-hole, mates with #C1033.
 Material: steel
 Size: 57*57mm
 Finish: zinc/chrome/nickel



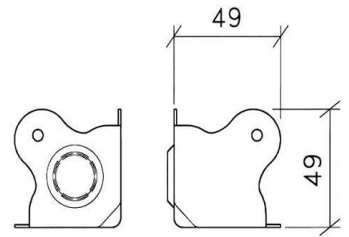
C1033 Flat corner w/Female stacking ring, 6-Hole, mates with #C1032.
 Material: steel
 Size: 57*57mm
 Finish: zinc/chrome/nickel



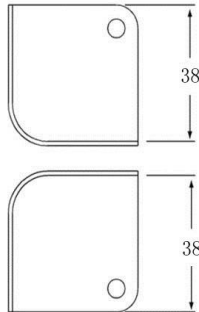
C0675 Small flat corner.
 Material: steel
 Size: 49*49mm
 Finish: zinc/chrome/nickel



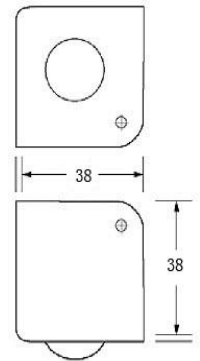
C0676 Small flat corner, Male.
 Material: steel
 Size: 49*49mm
 Finish: zinc/chrome/nickel



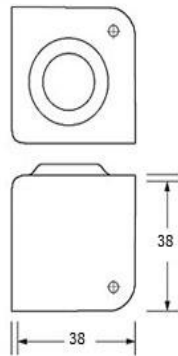
C0677 Small flat corner, Female.
 Material: steel
 Size: 49*49mm
 Finish: zinc/chrome/nickel



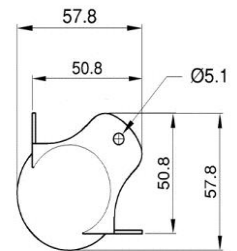
C1060 Small flat corner.
 Material: steel
 Size: 38*38mm
 Finish: zinc/chrome/nickel



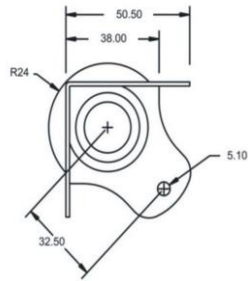
C1064 Small flat corner w/male stacking bump.mates with #C1062.
 Material: steel
 Size: 38*38mm
 Finish: zinc/chrome/nickel



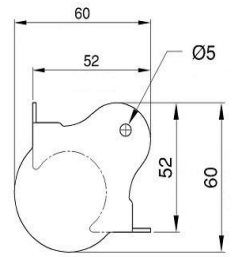
C1062 Small flat corner w/female stacking bump.mates with #C1064.
 Material: steel
 Size: 38*38mm
 Finish: zinc/chrome/nickel



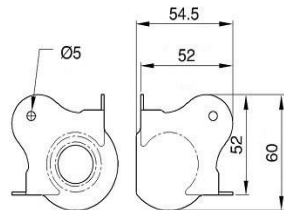
C8509 Medium ball corner.
 Material: steel
 Size: 57.8*57.8mm
 Finish: zinc/chrome/nickel



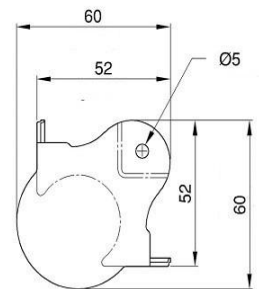
C8529 Medium ball corner.stackable.Mates with #C8509.
Material: steel
Size: 57.8*57.8mm
Finish: zinc/chrome/nickel



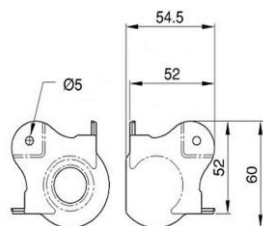
C1352 Ball corner.Mates with #C1353
Material:steel
Size:60*60mm
Finish: zinc/chrome/nickel



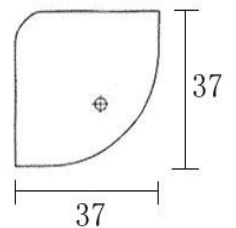
C1353 Ball corner,stackable. Mates with #C1352.
Material: steel
Size: 60*60mm
Finish: zinc/chrome/nickel



C1354 Ball corner, with offset. Mates with #C1355
Material: steel
Size: 60*60mm
Finish: zinc/chrome/nickel



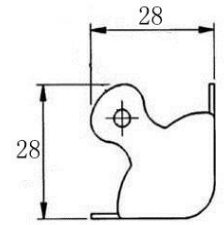
C1356 Ball corner with internal radius,Stackable. with Offset.Mates with #C1355.
Material: steel
Size: 60*60mm
Finish: zinc/chrome/nickel



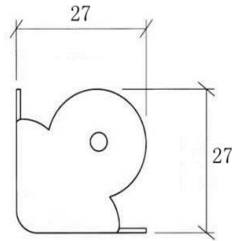
C1054 Small triangular flat corner.
Material: steel
Size: 37*37mm
Finish: zinc/chrome/nickel



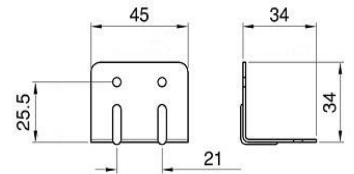
C1057 Small flat corner with 3-strengthening ribs.
 Material: steel
 Size: 32*32mm
 Finish: zinc/chrome/nickel



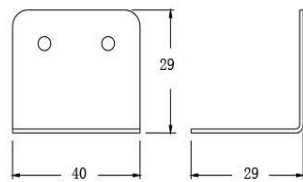
C1055 Cabinet corner.
 Material: steel
 Size: 28*28mm
 Finish: chrome/nickel



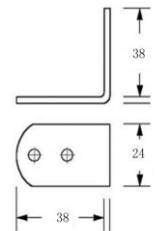
C1056 Mini corner.
 Material: steel
 Size: 27*27mm
 Finish: chrome/nickel



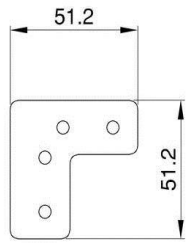
B1124 Large brace with strengthening ribs.tight radius.
 Material:steel
 Size: 45*34mm
 Finish: zinc/chrome/nickel



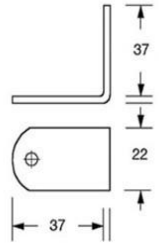
B1125 Large wide Jointing brace sharp radius.
 Material: steel
 Size: 40*29mm
 Finish: zinc/chrome/nickel



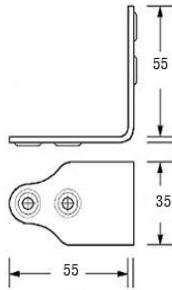
B1220 Medium brace,4-Hole.
 Material: steel
 Size:38*38mm
 Finish: zinc/chrome/nickel



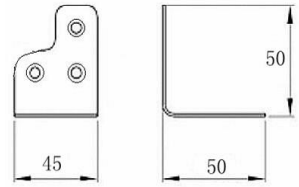
B1142 L-Joiner. Both Legs 24mm.
Material: steel
Size:51.2*51.2mm
Finish: zinc/chrome/nickel



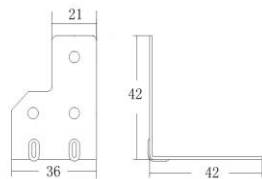
B1210 Medium brace,2-Hole.
Material: steel
Size:37*37mm
Finish: zinc/chrome/nickel



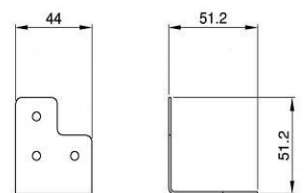
1722 Medium brace w/Rivet protectors.4-Hole.
Material: 1.5mm steel
Size:55*55mm
Finish: zinc/chrome/nickel



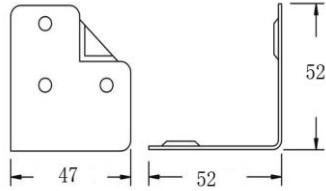
1248 Large brace,w/riev protectors.6-Hole.
Material: 1.5mm steel
Size: 50*45mm
Finish: zinc/chrome/nickel



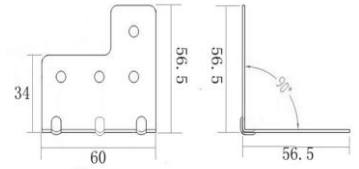
1246 Large brace, with 2-strengthening ribs.6-Hole.
Material: steel
Size: 42*36mm
Finish: zinc/chrome/nickel



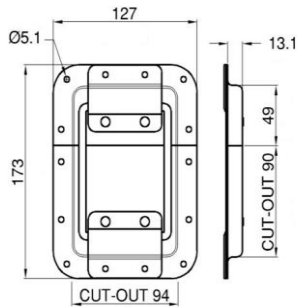
1232 Large brace with 6-Hole.
Material: steel
Size:51.2*44mm
Finish: zinc/chrome/nickel



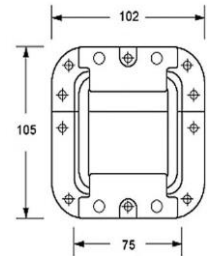
1244 Large brace with Offset,6-Hole.
 Material: steel
 Size: 52*47mm
 Finish: zinc/chrome/nickel



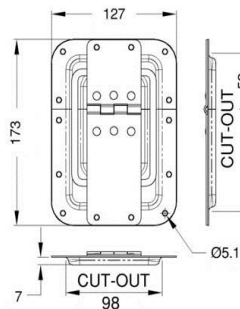
1090 Large brace , with 3-strengthening ribs, 8-Hole.
 Material: steel
 Size:56.5*60mm
 Finish:zinc/chrome/nickel



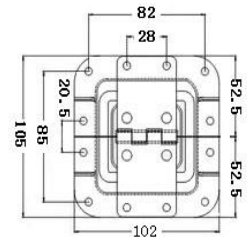
P2102 Large recessed lid stay. for use with continuous hinge.
 Material: steel
 Size: 173*127mm
 Finish: zinc/chrome/nickel



P2101 Medium recessed lid stay.for use with continuous hinge.
 Material: steel
 Size: 105*102mm
 Finish: zinc/chrome/nickel



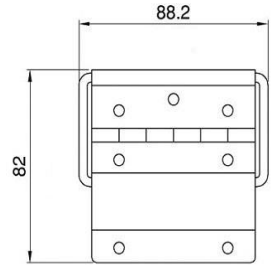
P2104 Hinged Lid Stay in 7mm Shallow Dish.
 Material: steel
 Size:173*127mm
 Finish: zinc/chrome/nickel



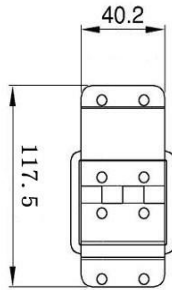
P2103 Hinge with Lid Stay in 7mm Shallow Dish.
 Material: steel
 Size:105*102mm
 Finish: zinc/chrome/nickel



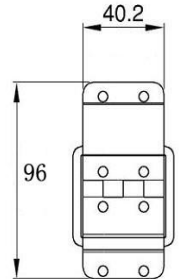
P1309 Piano hinge 2.3mm Pin.
 Material: steel
 Size: 1829*51mm
 Finish: zinc/chrome



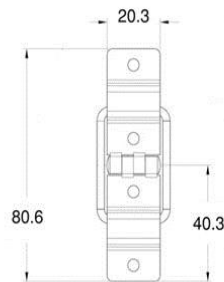
P1994 Heavy duty stop hinge.
 Material: steel
 Size: 88.2*82mm
 Finish: zinc/chrome/nickel



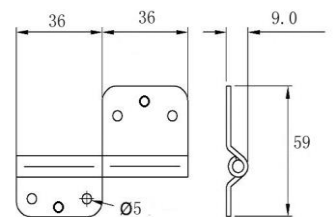
P2528 Large stop hinge. 10-Hole.
 Material: steel
 Size: 117.5*40.2mm
 Finish: zinc/chrome/nickel



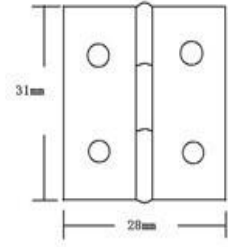
P2530 Large stop hinge with backplate. 8-Hole.
 Material: steel
 Size: 96*40.2mm
 Finish: zinc/chrome/nickel



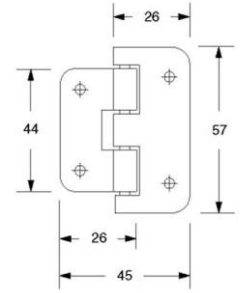
P2527 Small stop hinge. 4-Hole.
 Material: steel
 Size: 80.6*20.3mm
 Finish: zinc/chrome/nickel



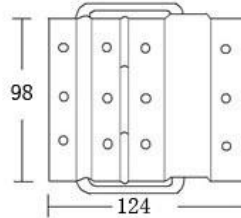
P1996 Slip hinge.
 Material: steel/Stainless steel
 Size: 72*59mm
 Finish: zinc/chrome/nickel



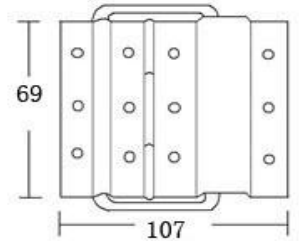
P1522 Small hinge. 4-Hole.
 Material: steel
 Size: 28*31mm
 Finish: zinc/chrome/nickel/gold



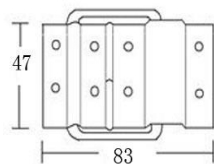
P1993 Large tak-apart hinge.6-Hole.
 Material:steel
 Size:57*45mm
 Finish: zinc/chrome/nickel



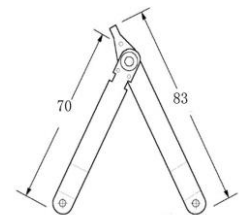
P1238 Large hinge. 24-Hole.
 Material: steel
 Size: 124*98mm
 Finish: zinc/chrome/nickel




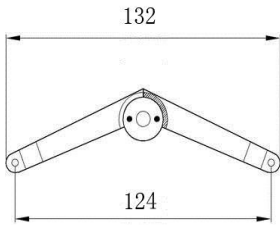
P1239 Large hinge. 12-Hole.
 Material: steel
 Size: 107*69mm
 Finish: zinc/chrome/nickel




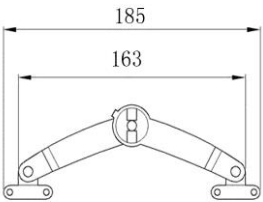
P1240 Large hinge. 8-Hole.
 Material: steel
 Size: 83*47mm
 Finish: zinc/chrome/nickel



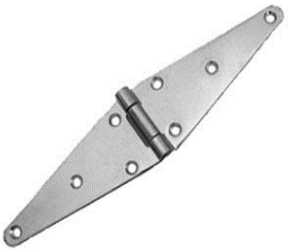
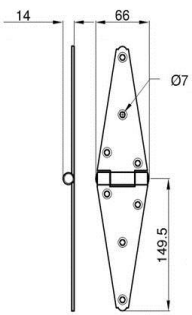
P1284 Lid stay with Offset.
 Material: steel
 Size:83mm
 Finish: chrome/nickel


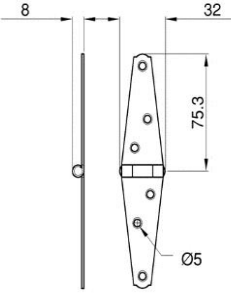
P1012 Medium lid stay.
Material: steel
Size: 132mm
Finish: chrome/nickel

P1008 Large lid stay.
Material: steel
Size: 185mm
Finish: chrome/nickel

P1906 6" Strap hinge.8-Hole.
Material: steel
Size:299*66mm
Finish:zinc/chrome/nickel

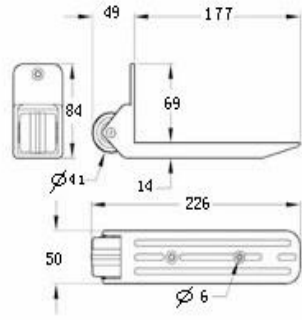
P1903 3"Strap hinge. 6-Hole.
Material: steel
Size:150.6*32mm
Finish: zinc/chrome/nickel



P1178 Hinge. 10-Hole.
Material: 1.2mm steel
Size: 200*59mm
Finish: chrome



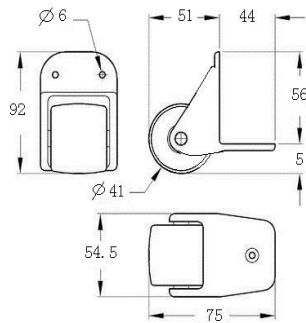
P1136 Long hinge. 28-Hole.
Material: 1.0mm steel
Size: 360*40mm
Finsh: chrome



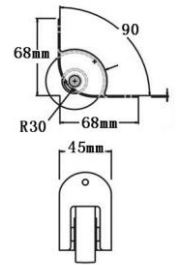
A5251 40mm fixed castor fits to edge of case.
 Material: plastic
 Size:226*50mm
 Color: black



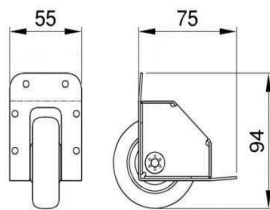
A5252 40mm fixed Castor fits to edge of case.
 Material: plastic
 Size:102*53mm
 Color: black



A5250 40mm Fixed castor fits to edge of case.
 Material: plastic
 Size:75*54.5mm
 Color: black

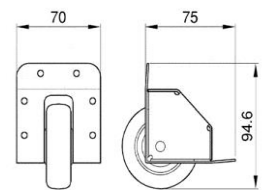


0147BK 50mm recessed edge castor.curved radius. soft rubber black wheel with ball bearings.
 Material: steel/rubber
 Size:68*45mm
 Finish: black

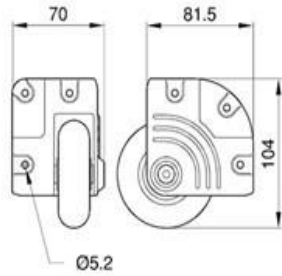


FIXING HOLES 5mm

W2060K Non rattle steel recessed castor with 64mm dia black wheel, for speaker cabinets applications.
 Materil: steel/plastic
 Size: 75*55mm
 Finish: black/zinc



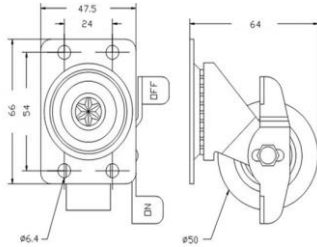
W2065 Non rattle steel recessed castor with 64mm dia black wheel, for speaker cabinets applications.
 Materil: steel/plastic
 Size: 75*70mm
 Finish: black/zinc



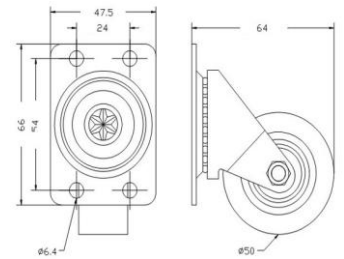
W8675 Diecast corner castor with 75mm polyurethane wheel.
 Material: zinc diecast/rubber
 Size: 104*81.5*70mm
 Finish: zinc/black



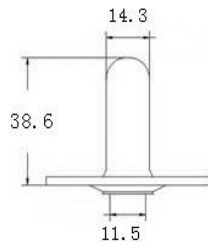
5293 50mm lightduty castor.soft rubber black wheel.Rigid.
 Material: steel/rubber
 Size:67*48mm
 Finish: zinc



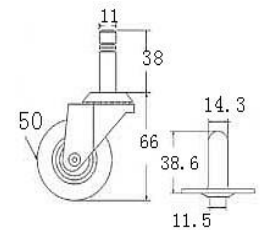
5292 50mm lightduty castor.soft rubber black wheel.swivel with side brake.
 Material: steel/rubber
 Size:66*47.5mm
 Finish: zinc



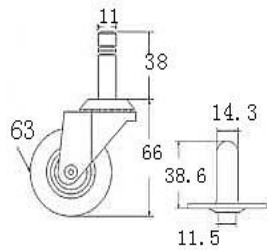
5291 50mm lightduty castor.soft rubber black wheel.swivel.
 Material: steel/rubber
 Size:66*47.5mm
 Finish: zinc



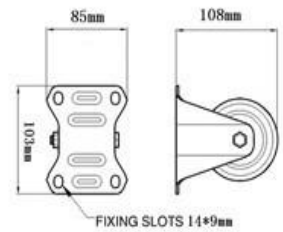
5299 Metal socket for #5295 and #5296 castor.
 Material: steel
 Size:Ø14.3*38.6mm
 Finish: zinc/chrome/nickel



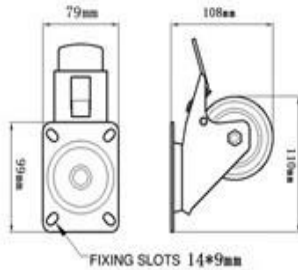
5295 50mm plug-in castor.soft rubber black wheel.
 Mates with socket #5299.
 Material: steel/rubber
 Size: Ø50*104mm
Special design for "Fender,Marshall,Vox,Line 6..."Guitar speaker



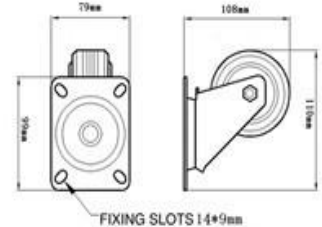
5296 63mm plug-in castor.soft rubber black wheel.
Mates with socket #5299.
Material: steel/rubber
Size: $\varnothing 63 \times 104$ mm
Special design for Guitar speaker



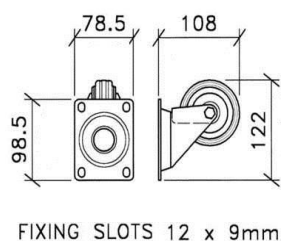
1305Z5F 75mm Rigid castor.soft rubber blue wheel.with roller bearing.
Material: steel/rubber.
Size: 108×110 mm/ 103×85 mm
Finish: zinc



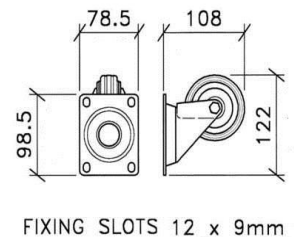
1305Z5B 75mm swivel castor.soft rubber blue wheel, with roller bearing and total lock brake.
Material: steel/rubber
Size: 110×108 mm/ 99×79 mm
Finish: zinc



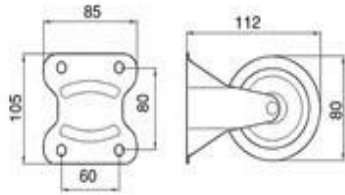
1305Z5 75mm swivel castor.soft rubber blue wheel,with roller bearing.
Material: steel/rubber
Size: 110×108 mm/ 99×79 mm
Finsh: zinc



W0980 80mm Guitel swivel castor.rubber black wheel with roller bearings.Carrying weight per wheel 60kg.
Marterial: steel/rubber
Size: 122×108 mm/ 98.5×78.5 mm
Finish: zinc/black

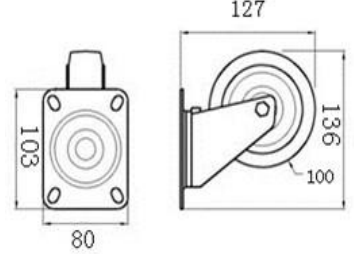


W0980/B 80mm Guitel braked swivel castor.soft rubber black wheel with roller bearings.Carrying weight per wheel 60kg.
Marterial: steel/rubber
Size: 122×108 mm/ 98.5×78.5 mm
Finish: zinc/black

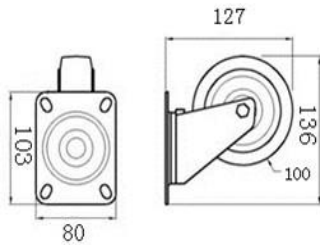


FIXING SLOTS 12mm x 9mm

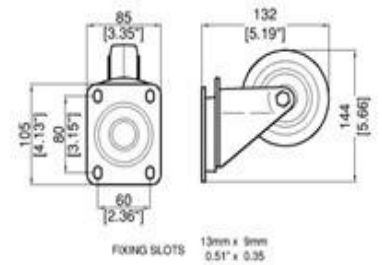
W0981 80mm Guitel fixed castor. rubber black wheel with roller bearings. Carrying weight per wheel 60kg
Material: steel/rubber
Size: 112*80mm/105*85mm
Finish: zinc/black



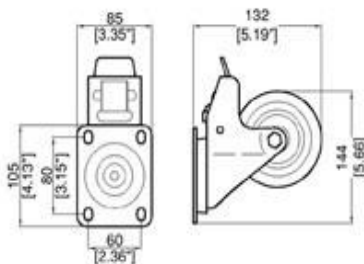
W8990 100mm swivel castor. Blue rubber wheel with roller bearing. 113kg capacity. works with castor #W8990/B
Material: steel/rubber
Size: 136*127mm
Finish: zinc



W8990/B 100mm braked castor. Blue rubber wheel with roller bearing. 113kg capacity. works with castor #W8990.
Material: steel/rubber
Size: 136*127mm/103*80mm
Finish: zinc

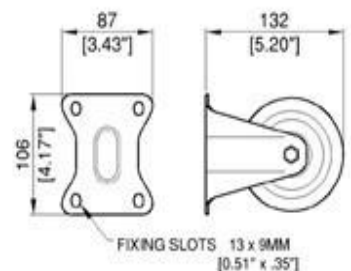


W9000Z 100mm Heavy duty swivel castor, with blue wheel. 200kg load rating, works with castor #W9008Z
Material: steel/rubber
Size: 144*132mm/105*85mm
Finish: zinc/black

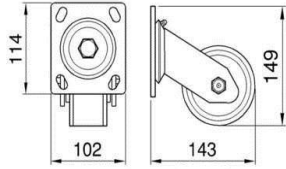


FIXING SLOTS 13mm x 9mm
0.51" x 0.35

W9008 100mm Heavy duty Braked castor, with blue wheel. 200kg load rating, works with castor #W9000Z
Material: steel/rubber
Size: 144*132mm/105*85mm
Finish: zinc/black



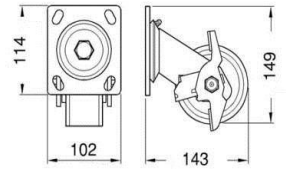
W9004 100mm Heavy duty fixed castor, with blue wheel. rated 200kg.
Material: steel/rubber
Size: 144*132mm/106*87mm
Finish: zinc/black



FIXING SLOTS 20mm x 11mm

W0999 100mm heavy duty swivel castor.green polyurethane/cast Iron wheel w/roller bearings. grease nipple for bearings and wheel axle.carrying weight per wheel 317.5kg.

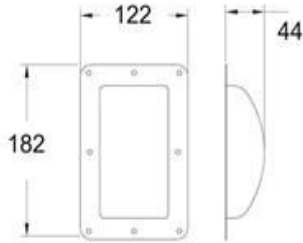
Material: steel/cast Iron
Size: 143*149mm/114*102mm
Finish: zinc



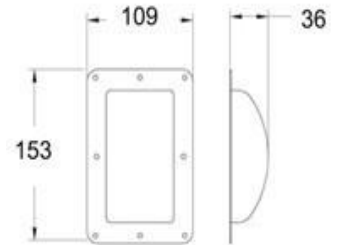
FIXING SLOTS 20mm x 11mm

W0999/B 100mm heavy duty braked swivel castor.green polyurethane/cast Iron wheel w/roller bearings. grease nipple for bearings and wheel axle.carrying weight per wheel 317.5kg.

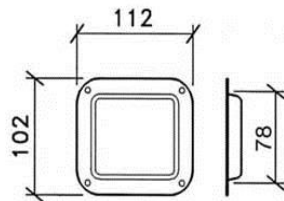
Material: steel/cast Iron
Size: 143*149mm/114*102mm
Finish: zinc



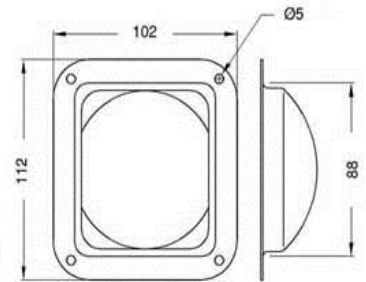
D1080 Large castor dish.
Material: steel
Size: 182*122mm
Finish: black/zinc



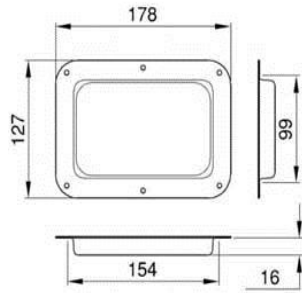
D1090 Medium castor dish
Material: steel
Size: 153*109mm
Finish: black/zinc



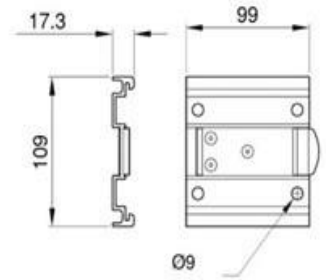
D0946 Small castor dish.
Material: steel
Size: 102*112mm
Finish: zinc/black/chrome/nickel



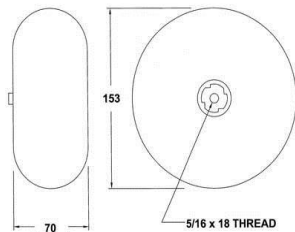
D0964 Small castor dish.
Material: steel
Size: 112*102mm
Finish: zinc/black/chrome/nickel



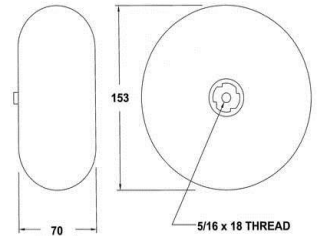
D0947 Medium Plain Dish.
Material: steel
Size: 178*127mm
Finish: zinc/black/chrome/nickel



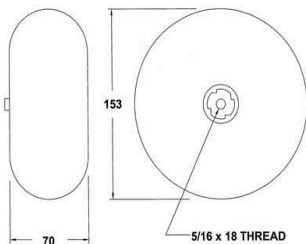
D0116 Large quick release plate for top castor.
Material: Aluminum
Size: 109*99mm



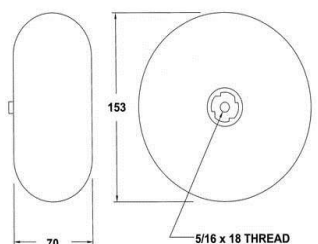
6225 Pallet cushion with T-Nut.various load capacities for optimum shock absorption.(Available without T-Nut,Call for Details)
Material: plastic
Size: 153*70mm
Color: Orange
Capacity:135-225kg



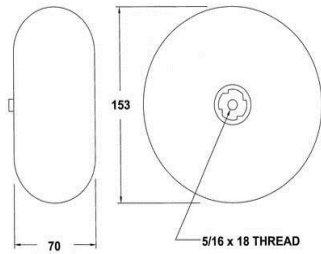
6125 Pallet cushion with T-Nut.various load capacities for optimum shock absorption.(Available without T-Nut,Call for Details)
Material: plastic
Size: 153*70mm
Color: Blue
Capacity:70-125kg



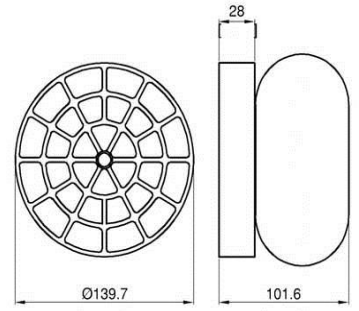
6080 Pallet cushion with T-Nut.various load capacities for optimum shock absorption.(Available without T-Nut,Call for Details)
Material: plastic
Size: 153*70mm
Color: Yellow
Capacity:45-80kg



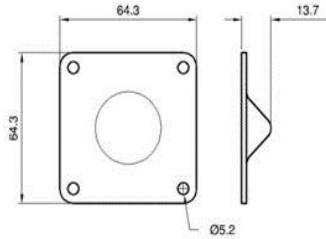
6050 Pallet cushion with T-Nut.various load capacities for optimum shock absorption.(Available without T-Nut,Call for Details)
Material: plastic
Size: 153*70mm
Color: Green
Capacity:30-50kg



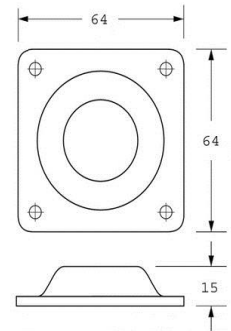
6035 Pallet cushion with T-Nut.various load capacities for optimum shock absorption.(Available without T-Nut,Call for Details)
 Material: plastic
 Size: 153*70mm
 Color: Tan
 Capacity:20-35kg



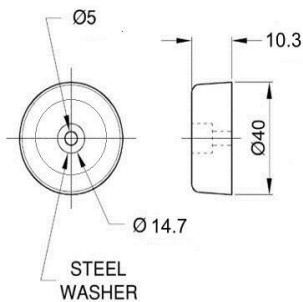
6228 Pallet Cushion Spacer.
 Material: plastic
 Size: 139.7*28mm
 Color: black



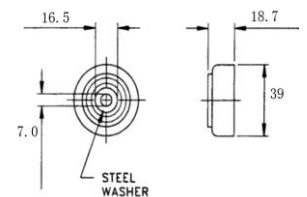
1202 Heavy duty foot w/Mate stacking bump.Mates with #1203.
 Material: steel
 Size: 64.3*64.3mm
 Finish: zinc/chrome/nickel



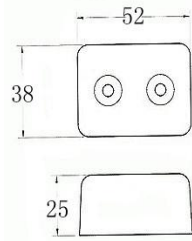
1203 Heavy duty foot w/female stacking ring.Mates with #1202.
 Material: steel
 Size: 64*64mm
 Finish: zinc/chrome/nickel



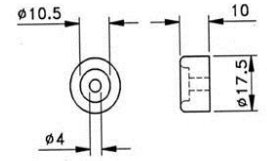
F1695 Rubber foot with steel washer.
 Material: rubber/steel
 Size: Ø40*10.3mm
 Color: black



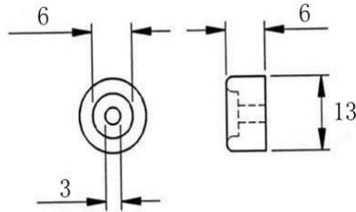
F1696 Rubber foot with steel washer.
 Material: rubber/steel
 Size: Ø39*18.7mm
 Color: black



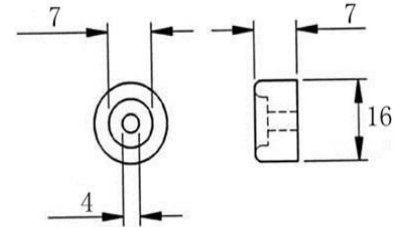
F8325 Plastic foot.
Material: plastic
Size: 52*38mm
Color: black



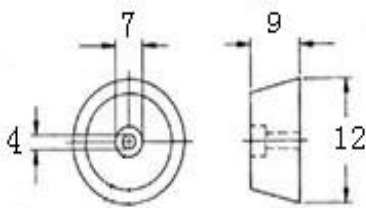
F1694 Briefcase rubber foot.
Material: rubber
Size: $\varnothing 17.5 * 10$ mm
Color: black



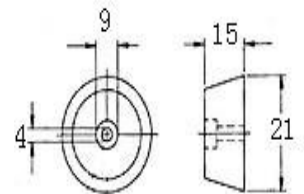
F1601 Small rubber foot.
Material: rubber/steel
Size: $\varnothing 13 * 6$ mm
Color: black



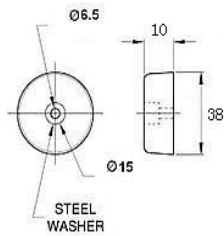
F1602 Small rubber foot.
Material: rubber/steel
Size: $\varnothing 16 * 7$ mm
Color: black



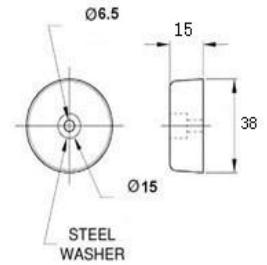
F1603 Medium rubber foot.
Material: rubber/steel
Size: $\varnothing 12 * 9$ mm
Color: black



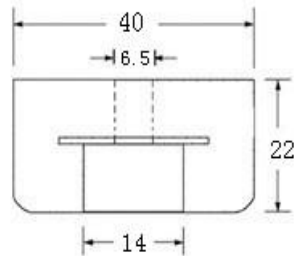
F1604 Medium rubber foot.
Material: rubber/steel
Size: $\varnothing 21 * 15$ mm
Color: black



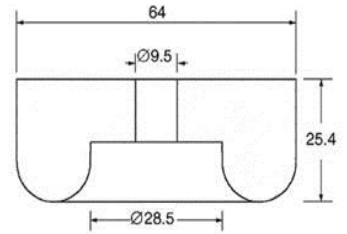
F1687 Rubber foot with steel washer.
Material: rubber/steel
Size: Ø38*10mm
Color: black



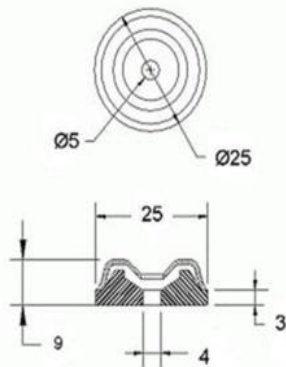
F1686 Rubber foot with steel washer.
Material: rubber/steel
Size: Ø38*15mm
Color: black



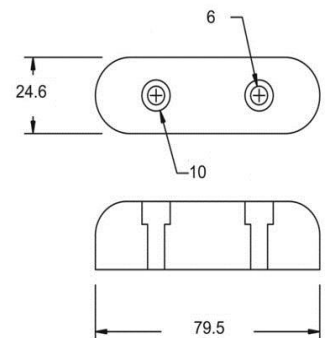
F1688 Medium rubber foot with steel washer.
Material: rubber/steel
Size: Ø40*22mm
Color: black



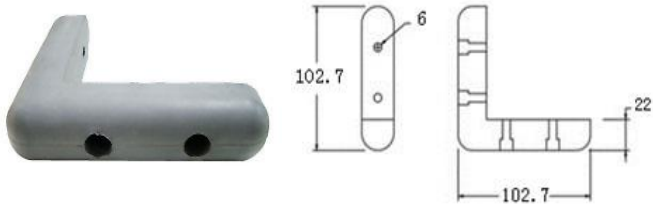
F1689 Large rubber foot with steel washer.
Material: rubber/steel
Size: Ø64*25.4mm
Color: black



F1690 Metal Glide with rubber insert.
Material: rubber/steel
Size: Ø25*9mm
Color: black/chrome



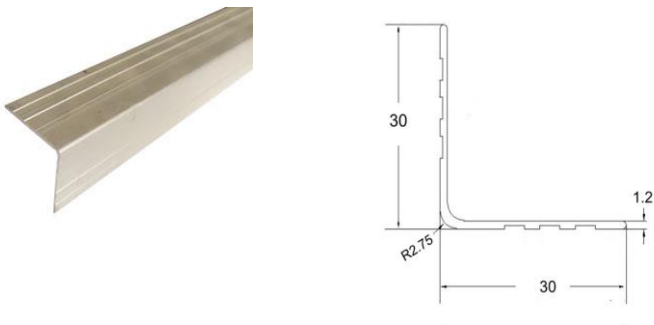
F1691 Straight rubber bumper with steel insert.
Material: rubber/steel
Size: 79.5*24.6mm
Color: black/grey



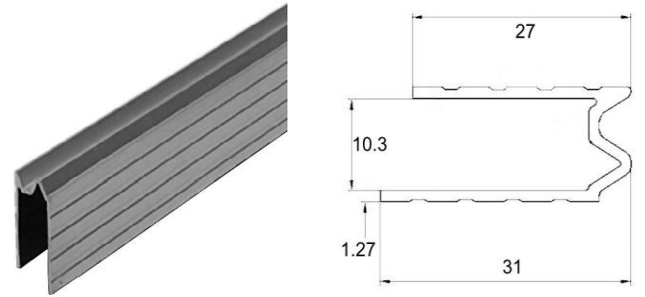
F1692 Heavy duty corner protector. rubber with steel insert.
 Material: rubber/steel
 Size:102.7*22mm
 Color: black/grey



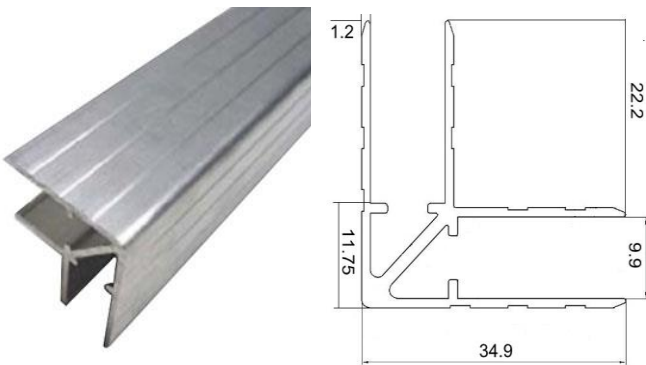
F1693 Heavy duty corner bumper with steel insert. corner bulge.
 Material: rubber/steel
 Size:100.8*27mm
 Color: black/grey



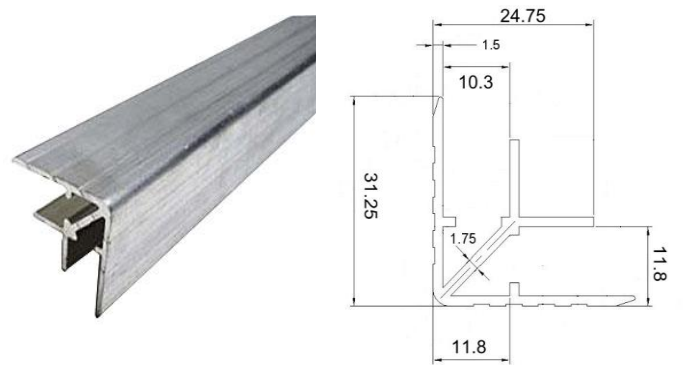
E3032 Single angle.
 Material: Aluminum
 Size:30*30mm(2M,3M,4M length)



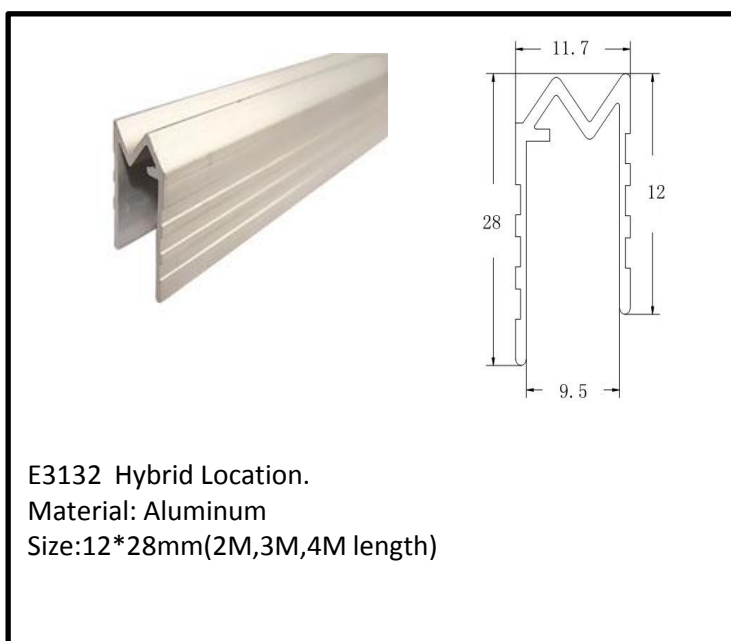
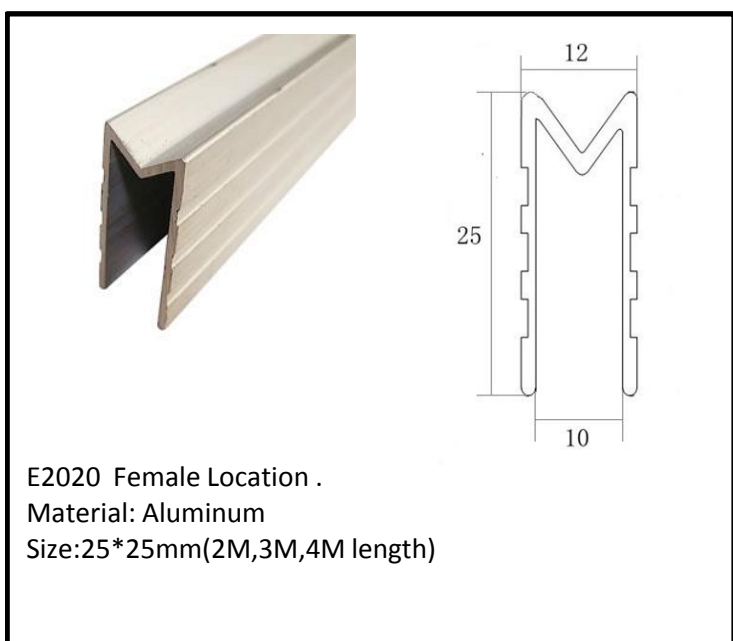
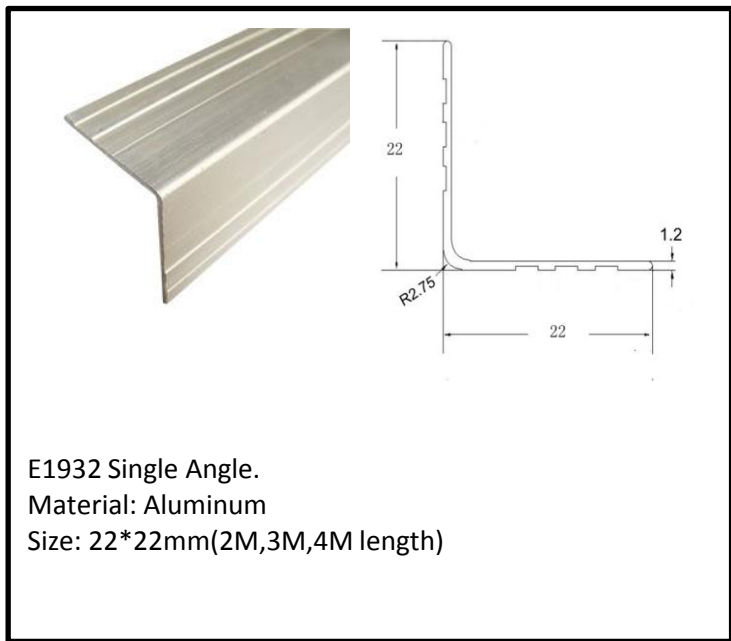
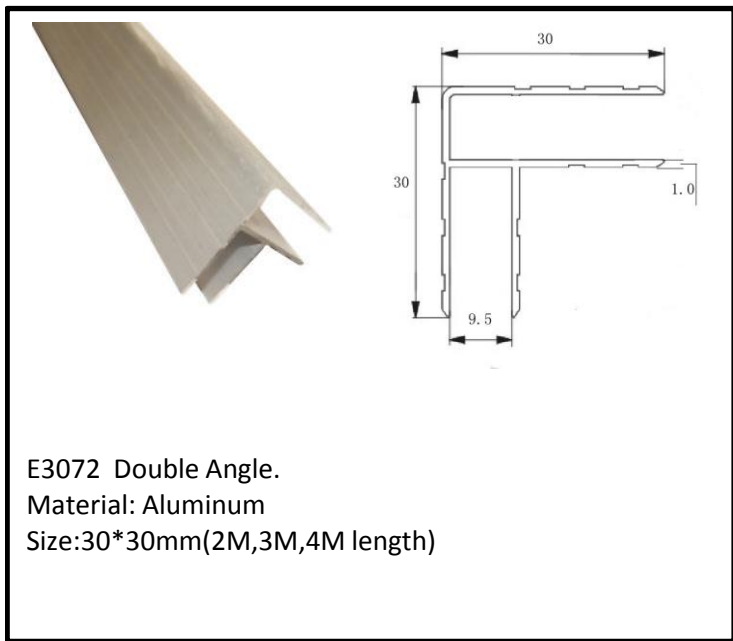
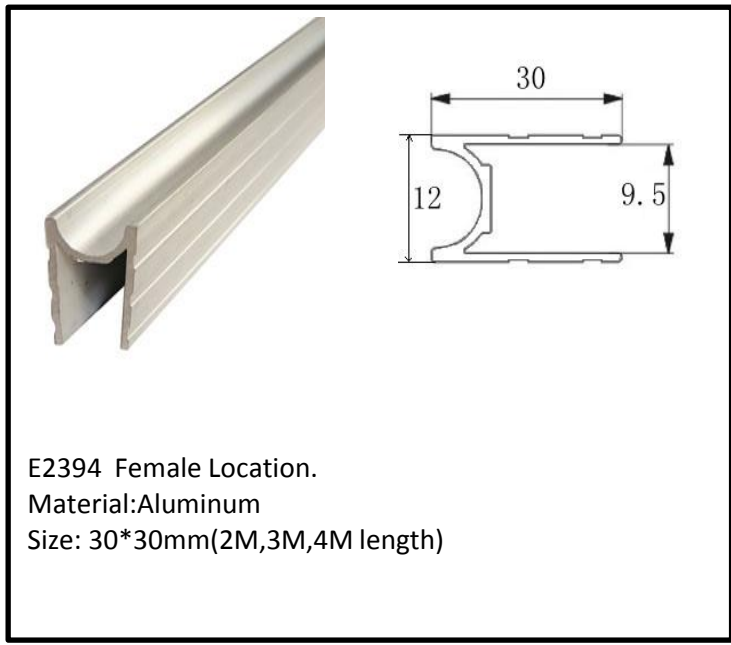
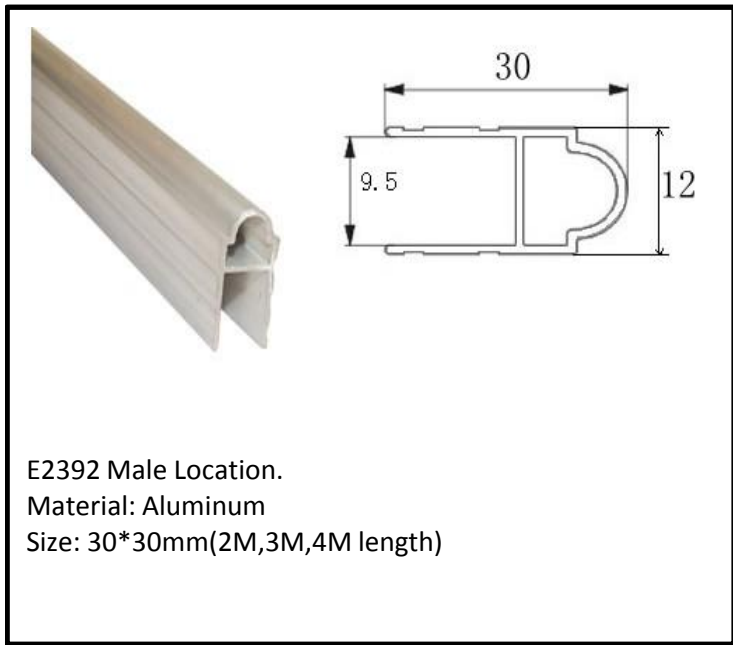
E2732 Hybrid location.
 Material: Aluminum
 Size:27*31mm(2M,3M,4M length)

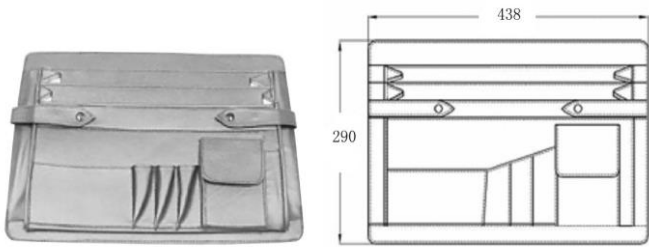


E3070 Double Angle.
 Material: Aluminum
 Size:34.9*34.9mm(2M,3M,4M length)

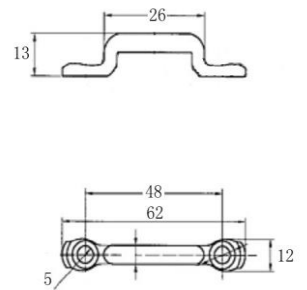


E3071 Double Angle.
 Material: Aluminum
 Size: 31.25*31.25mm(2M,3M,4M length)

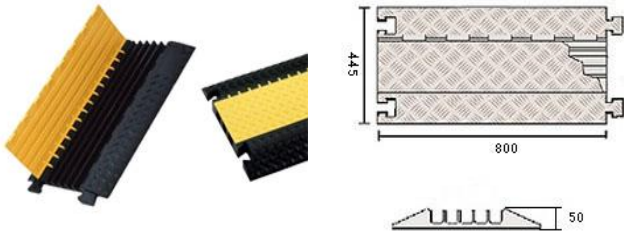




B1815 briefcase insert for tools.
 Material: Leather
 Size: 438*290mm
 Color: black



2125 Footman's Loop.
 Material: Zinc Diecast
 Size: 62*13mm
 Finish: nickel/chrome



XT1805 Cable protector. straight section.
 Orange over black.
 Material: rubber
Size: 800*445*50mm(5 channels,Part No.#XT1805)
 805*550*65mm(4 channels,Part No.#XT1804)
 1000*250*45mm(2 channels,Part No.#Xt1802)



2150 D-ring.
 Material: steel
 Size: 38*29mm
 Finish: nickel/black/chrome



C8060 Speaker cover.
 Material: textile
 Size: 710*530*310mm (any size, any logo)
 Color: black



- #M8421 black
- #M8422 red
- #M8423 blue
- #M8424 grey
- #M8425 olive
- #M8426 white
- #M8429 purple
- #M8430 green
- #M8431 silver
- #M8432 wine
- #M8433 brown
- #M8435 orange

ABS sheet.
 Material: ABS
 Size:2426*1207*0.9mm



Luan plywood with fibreglass laminate.
 Material: wood/ABS sheet
 Size: 2438*1219*10mm



Leather sheet for cabinet cover.
 Material: leather
 Size: 1.37M(W)*50yard(L)
 Color:black/white/red/orange/blue/brown/coffee/green /apricot/grey



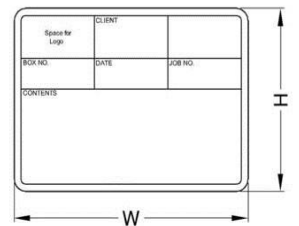
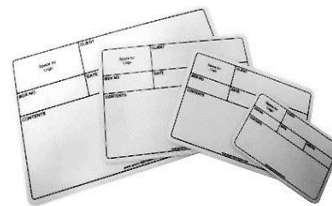
C4201 1.5" Half Coupler. Load Capacity 350kg/771lb
 Suitable for M10 fastener
 Material: Aluminium



C4202 Swivel Coupler
 (for use with 2"/50.8mm Tube)
 Material: Aluminium



C4203 Finial Coupler shank
 Material:Aluminium

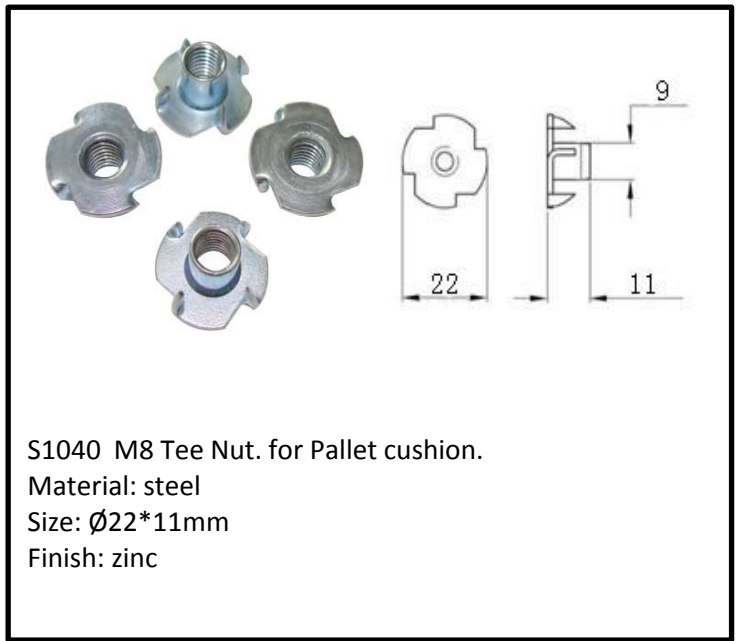


D2101 W130mm*L85mm
 D2102 W177mm*L127mm
 D2103 W210mm*L150mm
 D2104 W290mm*L190mm

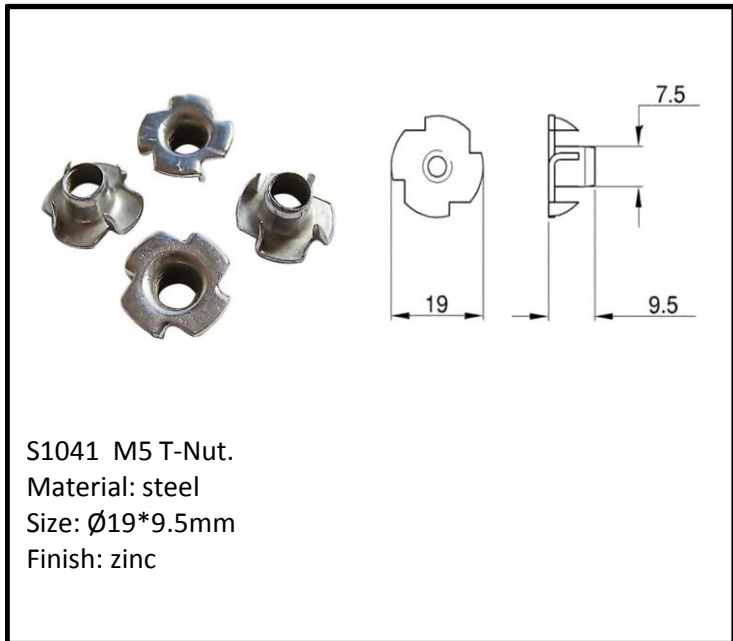
Self Adhesive Tour Labels.
 Part No.: D2101 D2102 D2103 D2104



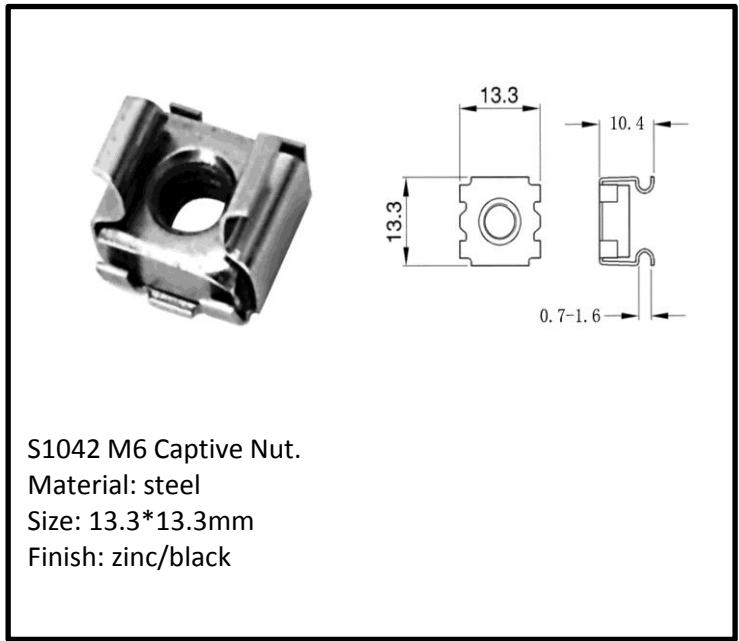
S1050 M8 Screw for #S1040.
 Material: steel
 Size: $\varnothing 8 \times 50$ mm
 Finish: raw material



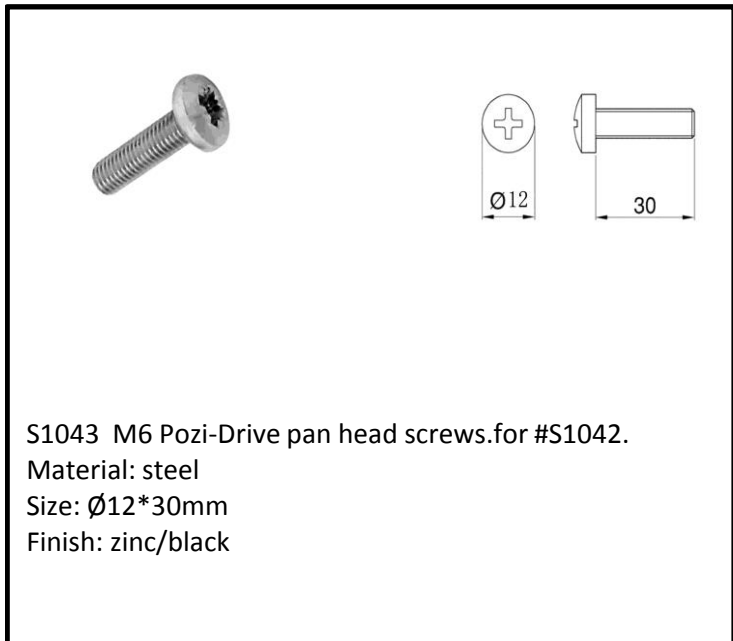
S1040 M8 Tee Nut. for Pallet cushion.
 Material: steel
 Size: $\varnothing 22 \times 11$ mm
 Finish: zinc



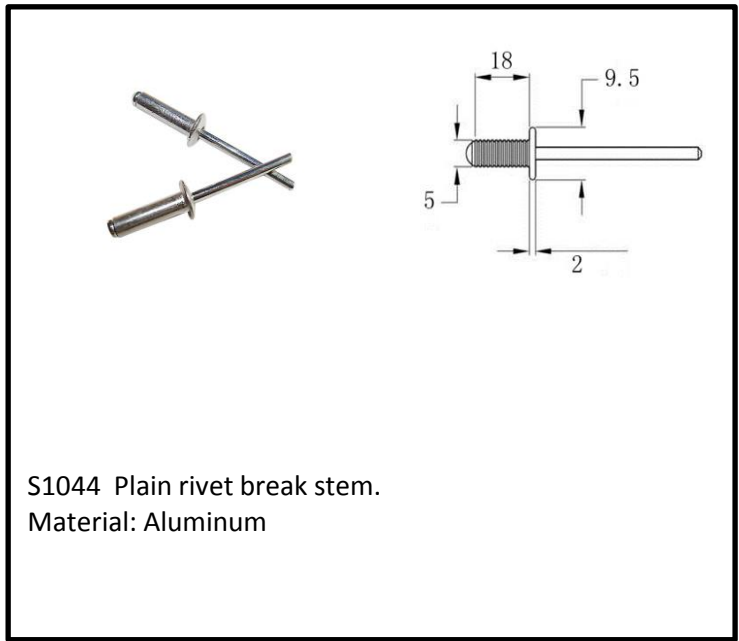
S1041 M5 T-Nut.
 Material: steel
 Size: $\varnothing 19 \times 9.5$ mm
 Finish: zinc



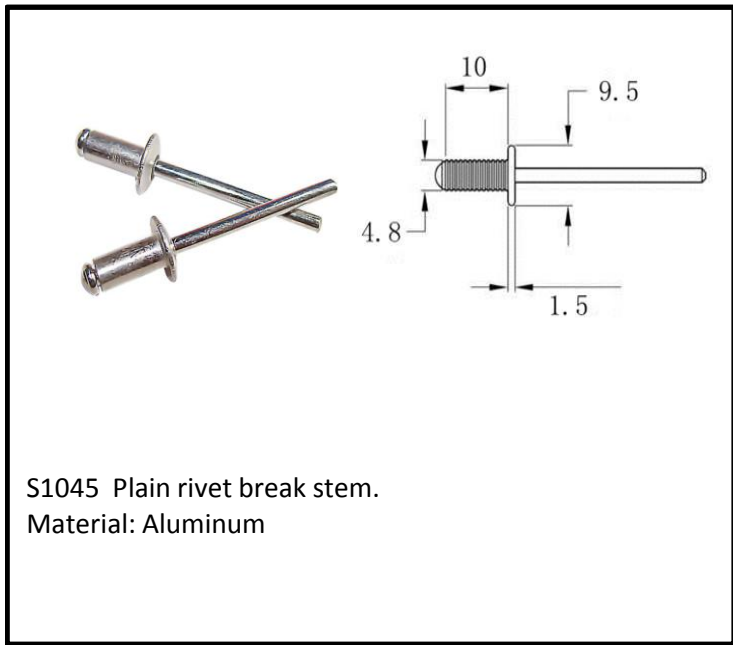
S1042 M6 Captive Nut.
 Material: steel
 Size: 13.3*13.3mm
 Finish: zinc/black



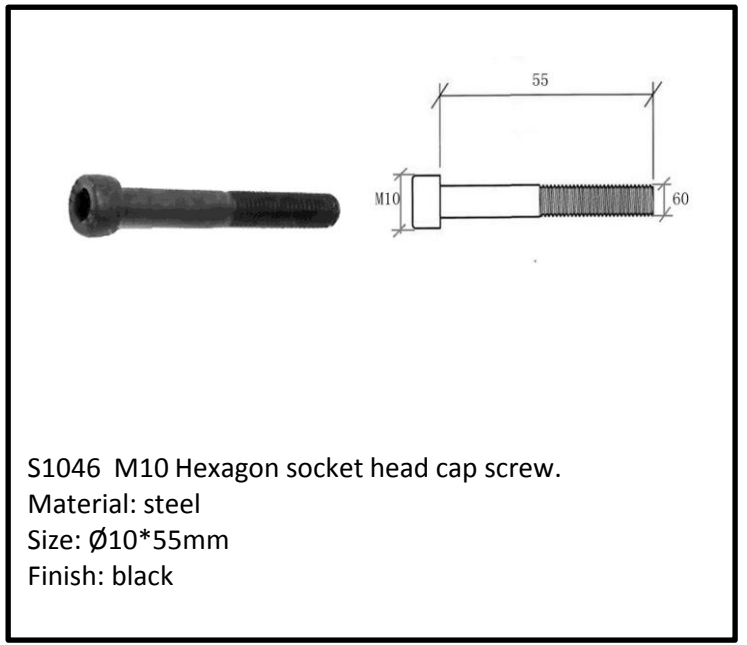
S1043 M6 Pozi-Drive pan head screws. for #S1042.
 Material: steel
 Size: $\varnothing 12 \times 30$ mm
 Finish: zinc/black



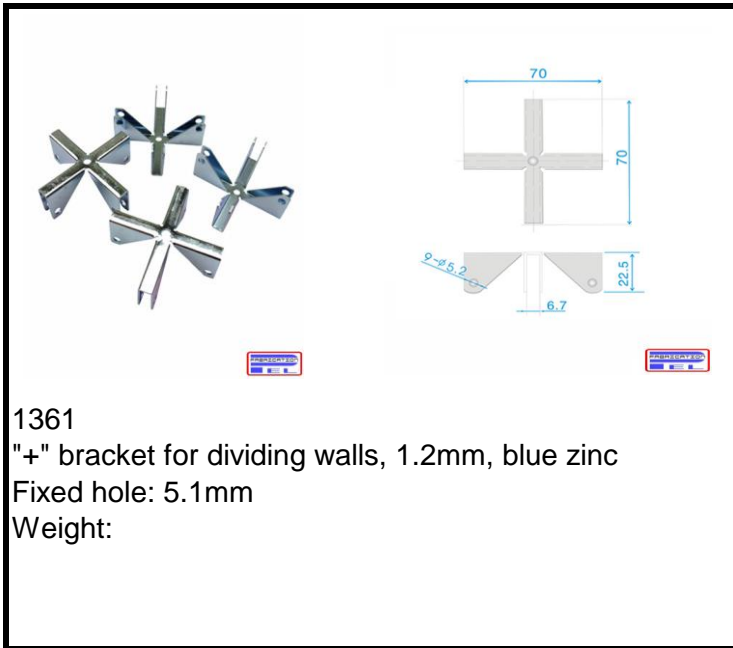
S1044 Plain rivet break stem.
 Material: Aluminum



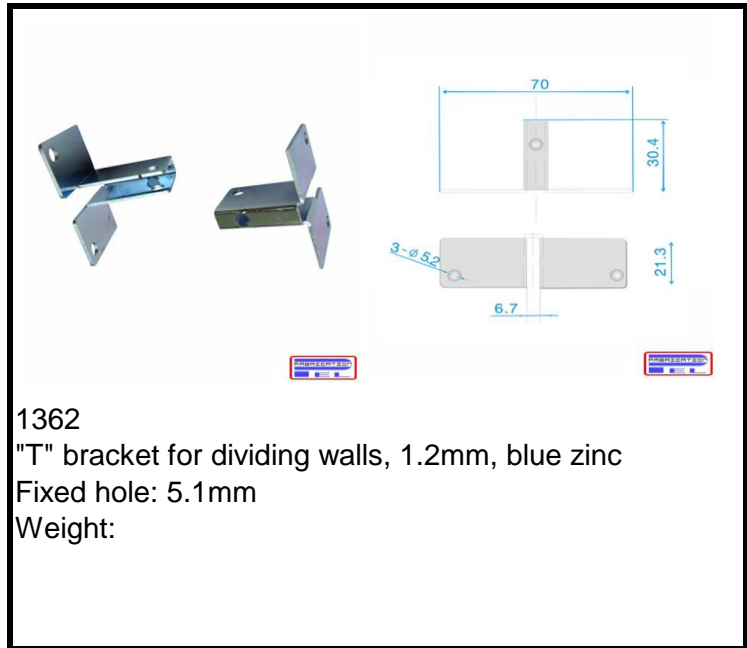
S1045 Plain rivet break stem.
Material: Aluminum



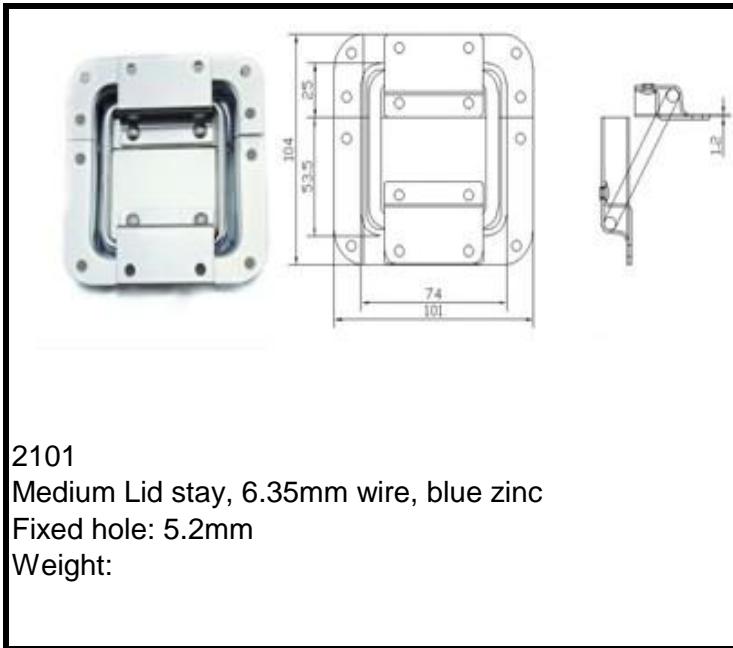
S1046 M10 Hexagon socket head cap screw.
Material: steel
Size: Ø10*55mm
Finish: black



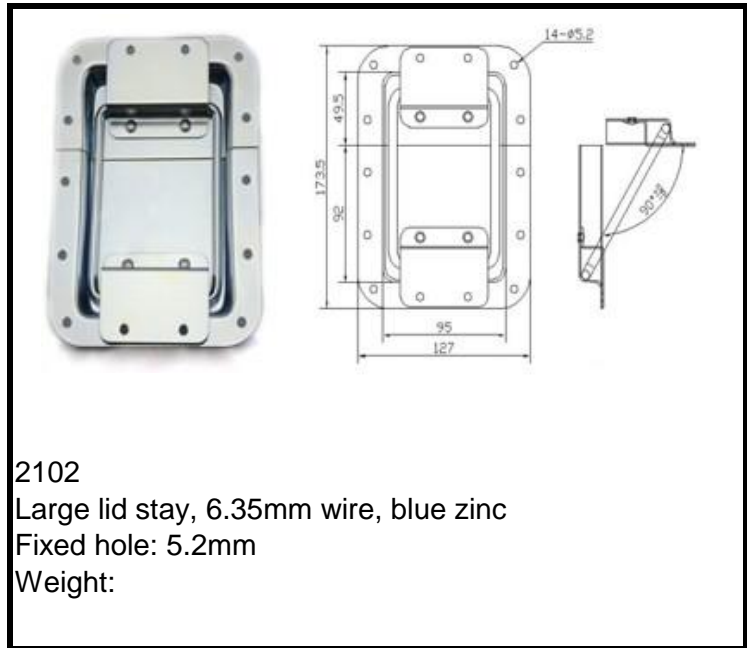
1361
" + " bracket for dividing walls, 1.2mm, blue zinc
Fixed hole: 5.1mm
Weight:



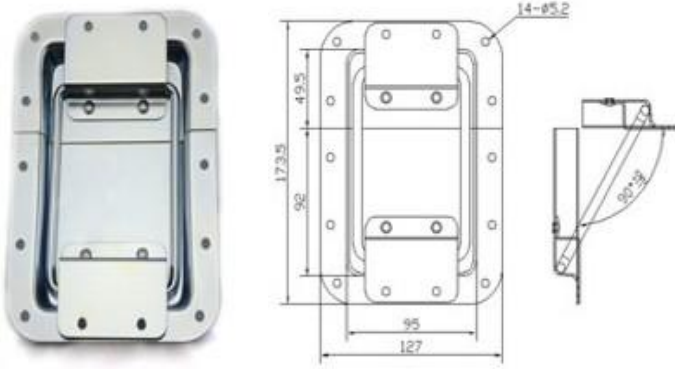
1362
" T " bracket for dividing walls, 1.2mm, blue zinc
Fixed hole: 5.1mm
Weight:



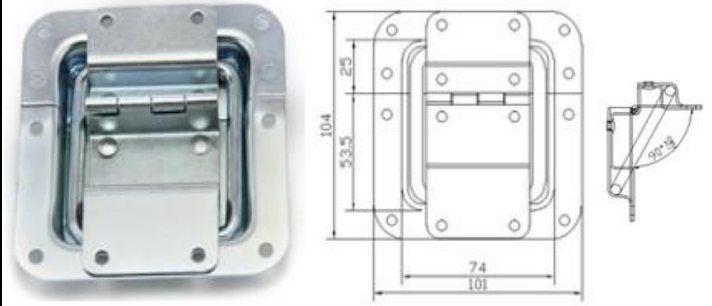
2101
Medium Lid stay, 6.35mm wire, blue zinc
Fixed hole: 5.2mm
Weight:



2102
Large lid stay, 6.35mm wire, blue zinc
Fixed hole: 5.2mm
Weight:



2102-9.5
 Large Lid stay, 6.35mm wire, blue zinc
 Fixed hole: 5.2mm
 Weight:



P2103
 Medium Lid stay w/ hinge, 6.36mm wire, blue zinc
 Fixed hole: 5.2mm
 Weight: